

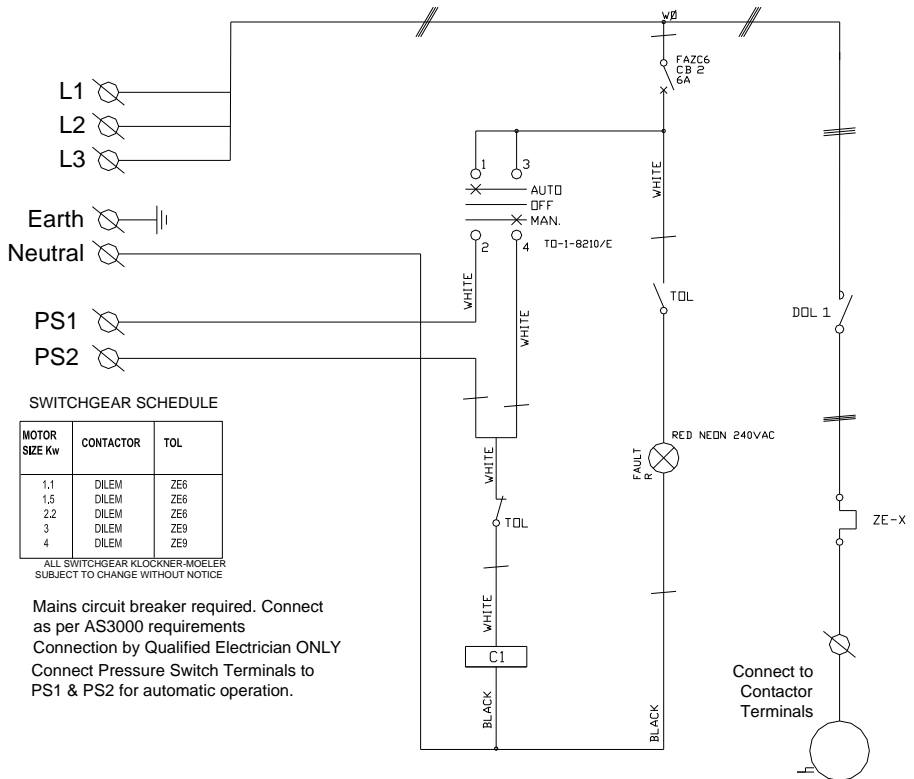
# CB3 PUMP CONTROLLER

Connect mains power to the Main switch, Earth and Neutral terminals.

## CB3 QUICK START

1. Connect pump 1 pressure switch to terminals PS1 & PS2
2. Connect pump to TOL terminals

Adjust the pressure switches to the desired Cut In and Cut Out pressures and set the pump to Auto operation



### SWITCHGEAR SCHEDULE

MOTOR SIZE Kw	CONTACTOR	TOL
1.1	DILEM	ZE6
1.5	DILEM	ZE6
2.2	DILEM	ZE6
3	DILEM	ZE9
4	DILEM	ZE9

ALL SWITCHGEAR KLOCKNER-MOELER  
SUBJECT TO CHANGE WITHOUT NOTICE

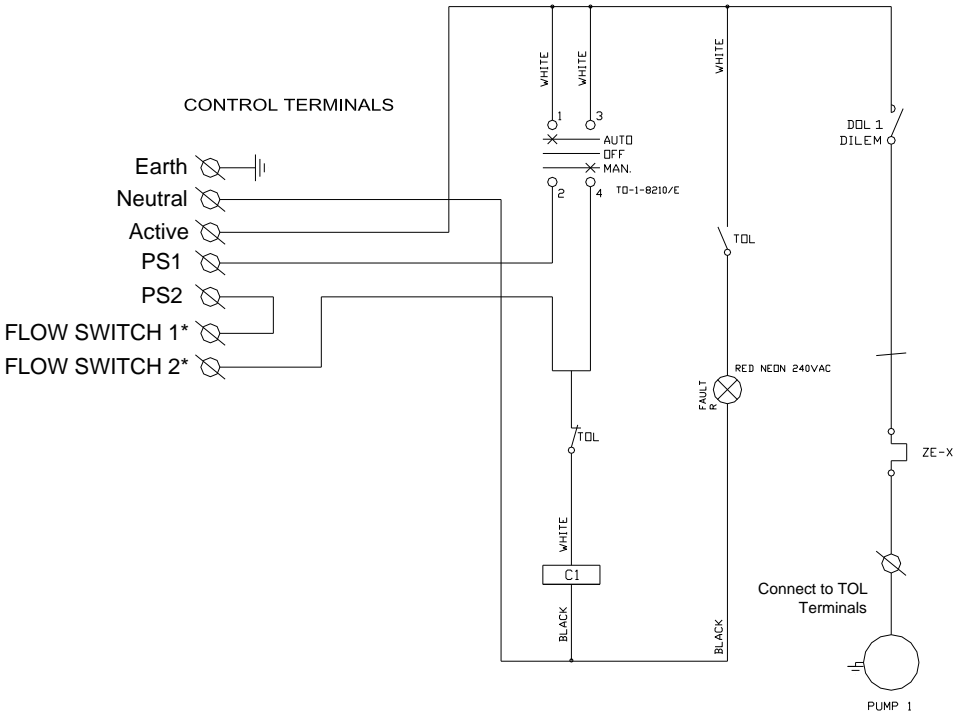
Mains circuit breaker required. Connect as per AS3000 requirements  
Connection by Qualified Electrician ONLY  
Connect Pressure Switch Terminals to PS1 & PS2 for automatic operation.

## CB3-FS QUICK START

1. Connect pump 1 pressure switch to terminals PS1 & PS2
2. Connect Flow switch to terminals Flow Switch 1 & 2– Bridge is not used
3. Connect pump to TOL terminals

Adjust the pressure switches to the desired Cut In and Cut Out pressures and set the pump to Auto operation

Time delay flow switch to be used for this application  
Kelco F27D flow switch or equivalent



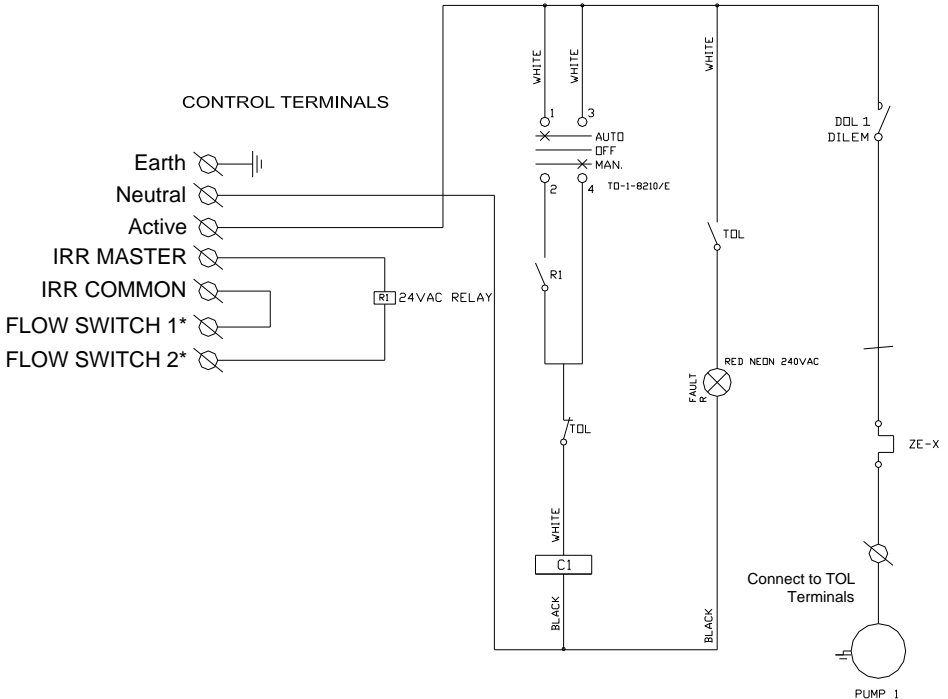
## CB3-FS-IRR QUICK START

4. Connect pump 1 pressure switch to terminals PS1 & PS2
5. Connect Flow switch to terminals Flow Switch 1 & 2 – Bridge is not used
6. Connect the 24VAC signal from the Master valve on the Irrigation controller to the IRR MASTER terminal and the Common connection to the IRR COMMON terminal
7. Connect pump to TOL terminals

Adjust the pressure switches to the desired Cut In and Cut Out pressures and set the pump to Auto operation

Time delay flow switch to be used for this application

Kelco F27D flow switch or equivalent





## STANDARD COMPONENTS

### SWITCHGEAR SCHEDULE

MOTOR SIZE Kw	CONTACTOR DOL 1	TOL
1.1	DILEM	ZE-6
1.5	DILEM	ZE-9
2.2	DILEM	ZE-9

ALL SWITCHGEAR KLOCKNER-MOELER  
SUBJECT TO CHANGE WITHOUT NOTICE

---

Contact details for Support:

Techsys Engineering

Ph: **07 5534 1879**

Email: [sales@techsys.net.au](mailto:sales@techsys.net.au)

Website support: [www.techsys.net.au](http://www.techsys.net.au)

---