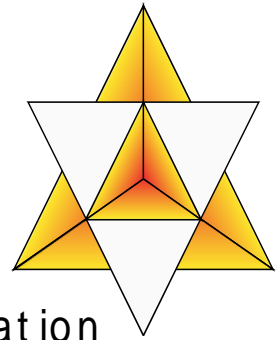


Techsys
Corporation



Snapper+



DUAL PUMP
VFD CONTROL SYSTEM

Version 4310.00

Mar 2013

INTRODUCTION

SNAPPER+ Pump Controller

The SNAPPER+ pump control system is a fully integrated pump controller for one or two pumps to maintain a constant pressure.

The SNAPPER+ system requires connection to power via a circuit breaker capable of handling the total pump load, wiring of pump motors, and attachment of a pressure tube to the discharge manifold for the system to be ready to run.

The SNAPPER+ controller starts and stops pumps according to information collected from a pressure transducer and compares this to a reference set point entered in the SNAPPER+ menu setting. The controller maintains the system pressure at the set point by varying the speed of the VFD pump and switching other pumps ON and OFF. When the system detects NO FLOW it will shut down until the pressure drops below a restart point.

The SNAPPER+ logic reduces running costs by ensuring pumps runs as efficiently as possible and are shut down when not required.

Options can be requested to meet any application, including specific site requirements such as remote communication, environmental considerations and fault monitoring and reporting. The SNAPPER+ offers full telemetry outputs for simple integration into central control applications.

The SNAPPER+ has easily accessible menus that allows anyone to make adjustments to any pump application thus saving on potentially costly service calls when setting changes are required. The SNAPPER+ Pump Control system is a member of the Techsys Pump Control range that has a range of options to suit specific applications and user requirements. Options can be discussed your agent or Techsys staff prior to ordering to ensure your site application needs are fully met prior to commissioning.

Version History

This manual covers the software applications for Version No. **4310.00** or later.

Please contact your agent or Techsys Corporation to obtain verification of the currency of this manual for your application. Your application's software version is displayed briefly when the SNAPPER+ is switched on.

Contact details for Support:

Techsys Engineering

Ph: **07 5534 1879**

Email: sales@techsys.net.au

Website support: www.techsys.net.au

CONTENTS

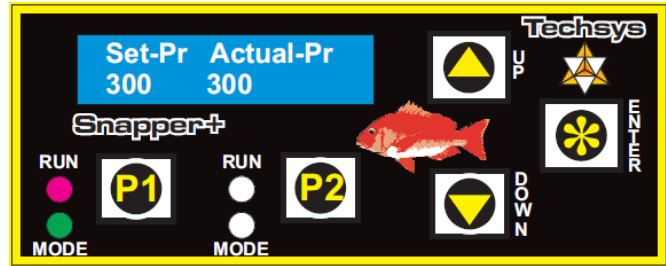
INTRODUCTION	2
CANCELLING AUDIBLE BEEPER.	6
PUMP CONTROL PANEL	7
MOVING AROUND & EDITING THE MENU ITEMS	8
MENUS	9
SYSTEM DISPLAY MENUS	20
FAULT HISTORY	20
PUMP DATA LOG	21
ACCESS CODE	23
TUNING	28
TIMING	30
PUMP DEFINITIONS	37
JOCKEY PUMP	37
OUTPUTS	40
INPUTS	42
ANALOGUE INPUTS	47
PIPE FILL MODE	48
RESTORE OPTIONS	49
TIME OF DAY SET POINTS	49
PID CONTROL	53
PRESSURE TANK REQUIREMENTS	55
VFD SETTINGS	55
SPECIFICATIONS	57
CONNECTIONS TO SNAPPER+ CONTROLLER.	60
TOP CONNECTIONS	60
BOTTOM CONNECTIONS	60
TROUBLESHOOTING	61
INSTALLATION NOTES	62
INDEX	67

QUICKSTART

The following procedures are the minimum required to start and operate the SNAPPER+.

Please read the entire manual before commissioning your Techsys controller and call your Techsys agent if you require further assistance. Your agent's contact details can be found in the supporting documentation. Please quote the 4 digit serial number of your application when making enquiries.

The following ROTATION CHECK MUST be completed before any other commissioning steps begin.



The ROTATION CHECK confirms the operational directions of pumps and must be checked in both Manual and Automatic Modes.



WARNING! Only Electrically Qualified Personnel are to alter wiring connections; There is HIGH VOLTAGE WIRING within the switchboard.

******* IMPORTANT *******

Failure to follow this procedure will VOID WARRANTY and cause failure of the pump station.

1. Select OFF Mode for all pumps. (If Access Code is displayed, enter the number 21)
2. Switch ON all circuit breakers in the cabinet.
3. Press "P1" key. The MODE & RUNNING LEDs should illuminate and pump 1 should start. Check Rotation against the pump manufacturer's directional arrow. After checking, turn Pump 1 to OFF by pressing "P1" again.
4. If the direction is correct go to Step 6. If the direction is not correct, contact your electrician, who can swap any two of the U, V, W wires from the VFD.
5. **Re-check direction**
6. Check direction of the ALL pumps as in step 3 by sequentially pressing the other "P" buttons and observing the rotation of each pump. If any of the pumps turn in the wrong direction, your electrician should change two of the wires connected to the motor in question.
7. Check Pump 1 MANUAL Mode. Press and hold "P1" for 3 seconds and the pump will start and run at full speed. The MODE LED will be flashing and the RUNNING LED will be on. Check Rotation against the pump manufacturer's directional arrow. After checking, turn Pump 1 OFF by pressing "P1" again. **(When in manual mode, beware of possible damage to equipment through exceeding design pressure. Manual Mode may bypass "pump protection" and if so pump damage may result if pumps are permitted to run unmonitored.)**
8. If the direction in "Manual" is OK go to Step 9. If the direction is not correct, contact your electrician to swap any two of the incoming main supply wires into the Main Isolator.
9. Check all pumps for direction in MANUAL mode as per Step 6 by sequentially pressing and holding each of the "P" buttons.
10. Rotation check complete.

Every SNAPPER+ control panel has push buttons for 2 pumps. It is not necessary to press/select buttons for pumps in excess of the actual number of pumps present. Selecting these pumps (those not present) will have no effect on the overall operation of the SNAPPER+ controller.

ADJUST SET POINT (OPERATING PRESSURE of your System).

1. Press the DOWN key until the Message "Access Code" is displayed.
2. Press the ENTER (*) key. The top line of the display will start flashing. Then press the UP key until the number 21 appears in the lower part of the screen.
Press the ENTER (*) key again and the top line of the display will stop flashing.
The access code is now entered.
3. Press the DOWN key once more. A menu named SETTINGS will appear.
4. Press the ENTER (*) key to access the SETTINGS Sub Menu.
5. Press the DOWN key until SET POINT screen is reached.
6. To adjust the SET POINT press the ENTER (*) key, then press the UP key to increase the setting and the DOWN key to decrease the setpoint.
When the desired setting has been reached press the ENTER (*) key again.
7. * NOTE* If the desired Set Point is not able to be selected (pressing the DOWN key does not change the value) the "Low Pressure Shutdown" may need to be decreased. The set point value can not be set below the Low Pressure Shutdown value. After the adjustments have been made, press the DOWN key until the sub menu is exited and the SETTINGS main screen appears again.
8. To return to the main System Pressure display, press the Down OR Up key.

CALIBRATE PRESSURE TRANSDUCER

Calibration is only required if the pressure transducer was fitted on site.
For a full explanation go to the section marked CALIBRATION OF ANALOGUE SENSORS.

1. Press the DOWN key until you reach the Main Menu marked CONFIGURE.
2. Enter the CONFIGURATION sub menu by pressing the ENTER (*) key.
3. Go to the ZERO PRESSURE screen. To complete this step the pressure in the system must be zero. Remove the transducer tube to be sure.
4. "ZERO" the sensor using either AUTOMATIC or MANUAL options.

Automatic Zero.

Press ENTER (*) to begin editing the ZERO PRESSURE; then press and hold both UP and DOWN buttons together for 1 second or until "Finding Zero" is displayed on the screen.

In 5-20 seconds zero will be displayed; press ENTER (*) to finish the operation.

Manual Zero

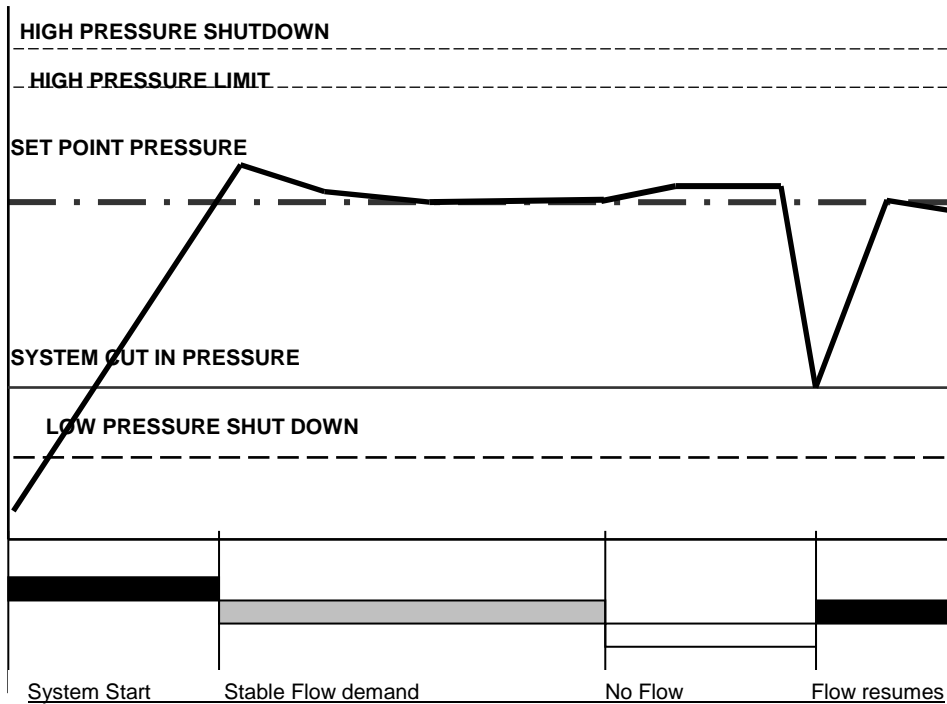
Press ENTER (*) and then the DOWN key to decrease the displayed value to ZERO. If "Value Too Low" appears, increase the value slowly by pressing the UP key until a zero value is obtained. *NOTE* The value does not change with each press of the UP/DOWN key. Press and hold the UP/DOWN key for rapid change and single press for small change.

When ZERO is displayed press ENTER (*) to finish the operation.

5. Press the DOWN key until you reach "ADJUST PRESSURE". (At this point the system must have a stable pressure and preferably close to the desired set pressure.
6. Adjust the value in the ADJUST PRESSURE screen until the pressure on the system gauge is the same as the screen pressure. Press the ENTER (*) key and then the UP key to increase the display pressure or the DOWN key to decrease the display pressure. *NOTE* The value does not change with each press of the UP/DOWN key. Press and hold the UP/DOWN key for rapid change and single press for small change.
When the displayed value is the same as the actual system pressure press ENTER (*) to finish the operation.
7. Press the DOWN key until the menu returns to the main CONFIGURE screen again.
The Pressure Transducer is now calibrated.
8. To return to the main System Pressure display, press the Down OR Up key.

System Operation

The operating constraints for the system are detailed below.



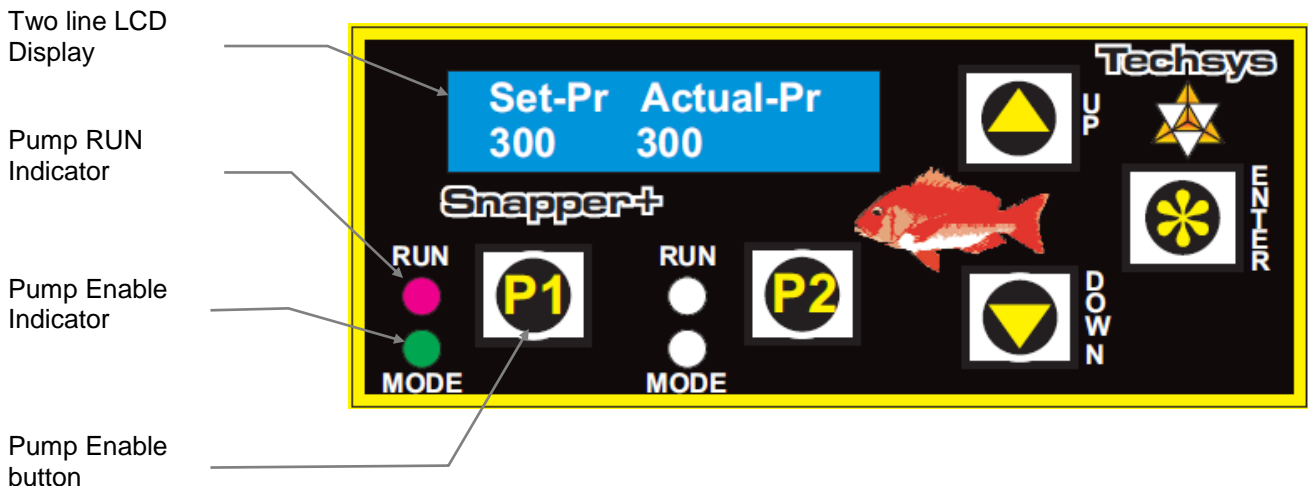
When the system pressure drops below the SYSTEM CUT IN pressure setting, the SNAPPER+ will start the VFD to run the first pump and increases in speed until the SET POINT PRESSURE is reached. If one pump cannot satisfy the pressure requirement another pump will start. The VFD pump will continue to run until the SET POINT PRESSURE is achieved. This procedure is repeated until the set point is reached or all pumps are running. The controller will modulate the speed of the VFD pump to maintain the set point pressure.

cancelling audible beeper.

If during commissioning you wish to cancel the BEEP heard on key strokes go to the "Flow-Rate Vfd-Sp" menu and press *

Pump Control Panel

The SNAPPER+ Control Panel allows the operator to edit settings and values in each menu.



To edit values and settings within menus

Press the ENTER (*) key when the desired menu is displayed. The top line will flash if the menu can be edited (some menus may be locked and unavailable). Use the UP and DOWN buttons to change the selection, then press ENTER (*) again to confirm the change.

Each pump is controlled by an individual “P” button. By default a valid Access Code is required to enable, or manually run a pump. Pumps can however be stopped and disabled without an Access Code. (Default is 21).

To enable a pump for operation

Press the “P” button and the associated mode indicator will light up. The selected pump is now available for operation in Automatic mode.

To disable a pump in Automatic Mode

Press the “P” button until the Pump ON/OFF indicator light turns off.

To operate a pump on Manual

Press and hold the “P” switch for 3 seconds to start a pump in “Manual”.

The Pump MODE light will be flashing and the RUN indicator will be on. To turn a manual pump off, press and release the “P” switch.

The RUN light turns off when the pump is disabled. To return it to Automatic press the “P” button again until the Mode indicator turns on.

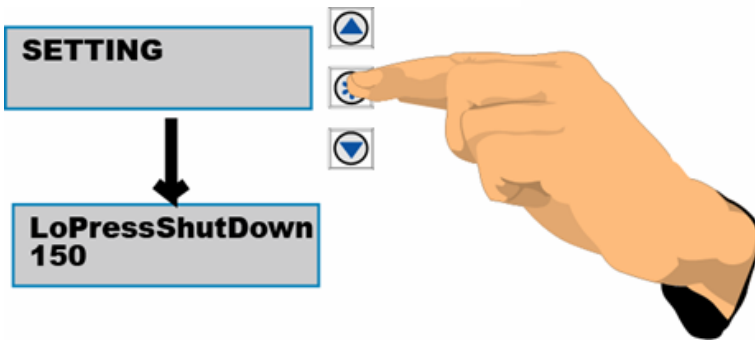
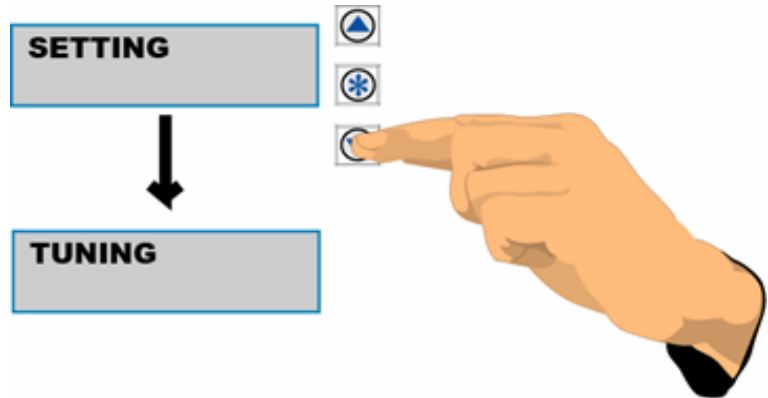
MANUAL MODE PROTECTION

Pump protection settings apply to all pumps including those in manual mode.

Unless specifically requested otherwise the SNAPPER+ controller will maintain pump protection and if active, will not allow pumps to run in manual when manual is selected.

Moving Around & Editing the Menu Items

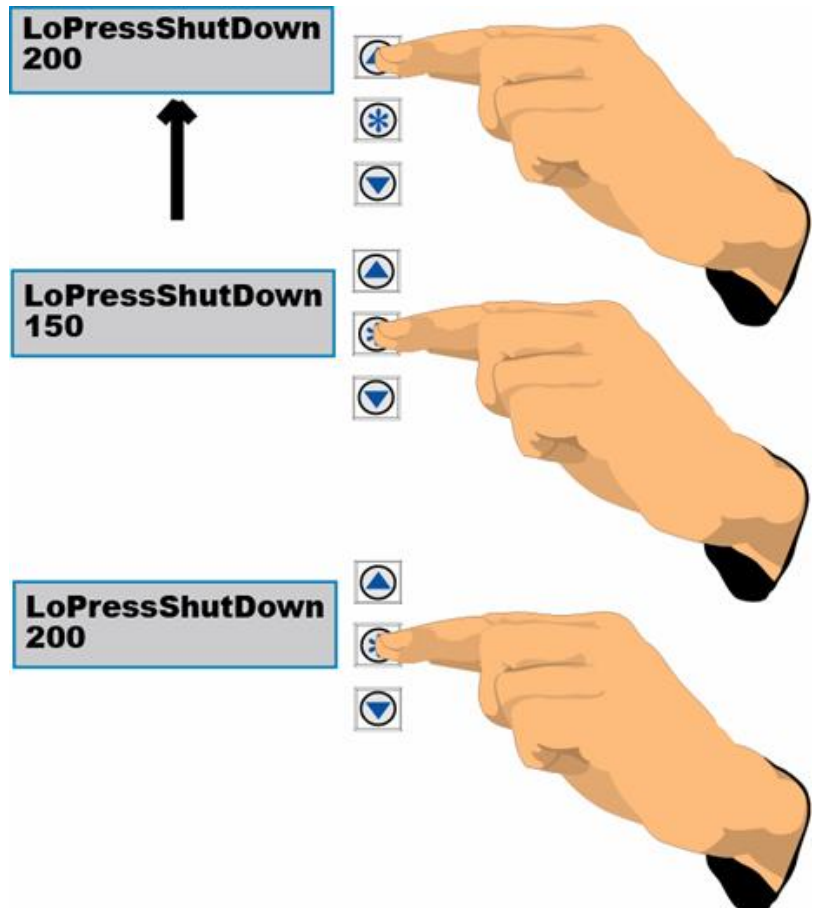
To move between the Main Menu screens press the UP or DOWN key.



Once the required Menu is selected press the ENTER (*) Key to enter the specific menu

To edit a value, a valid Access Code needs to be entered. If the Access Code is not inserted correctly the system will inhibit menu selection and pump select keys.

To edit a value press the ENTER (*) key and then the UP or DOWN key until the desired value is displayed. Press the ENTER (*) Key again to save the value selected.

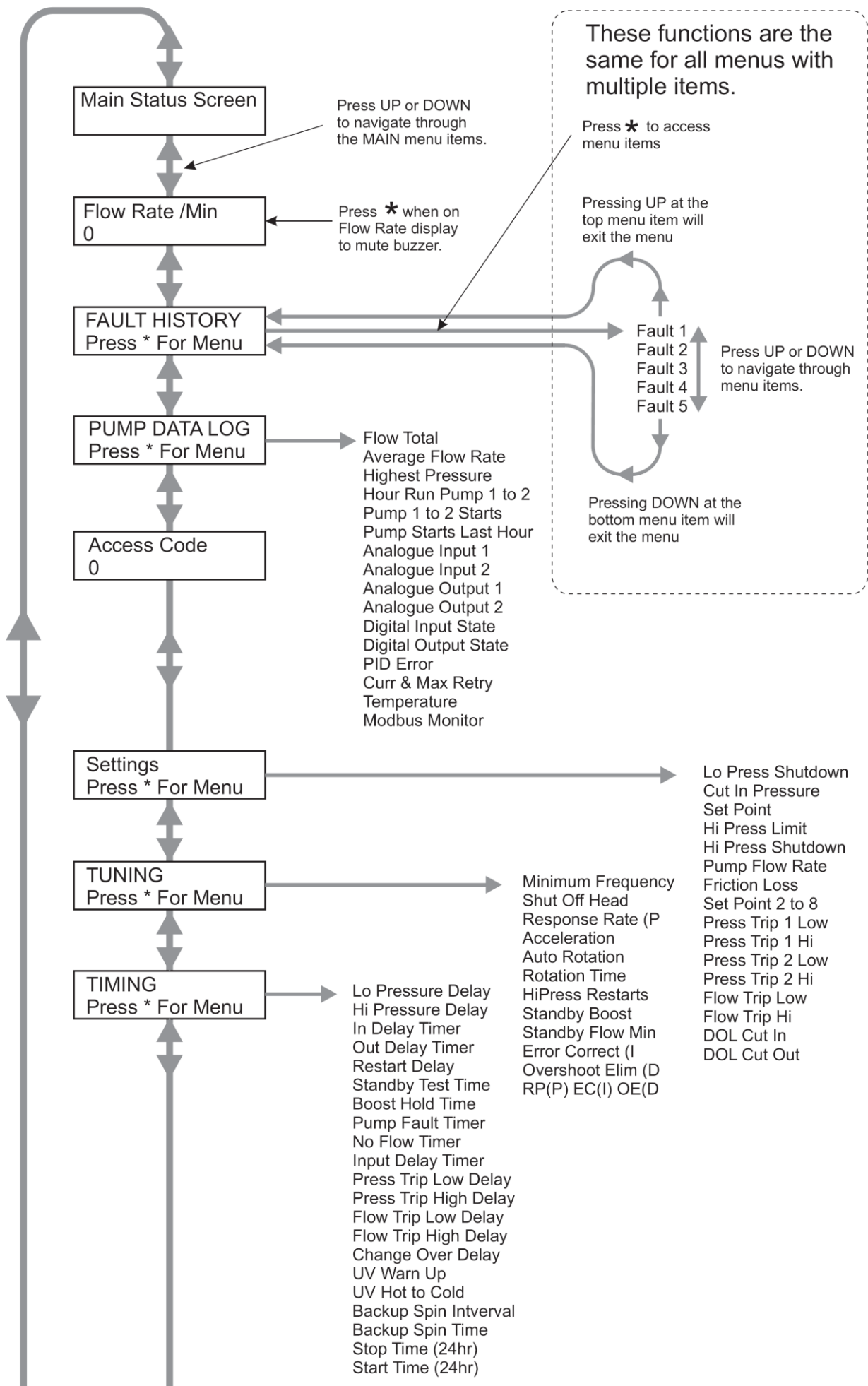


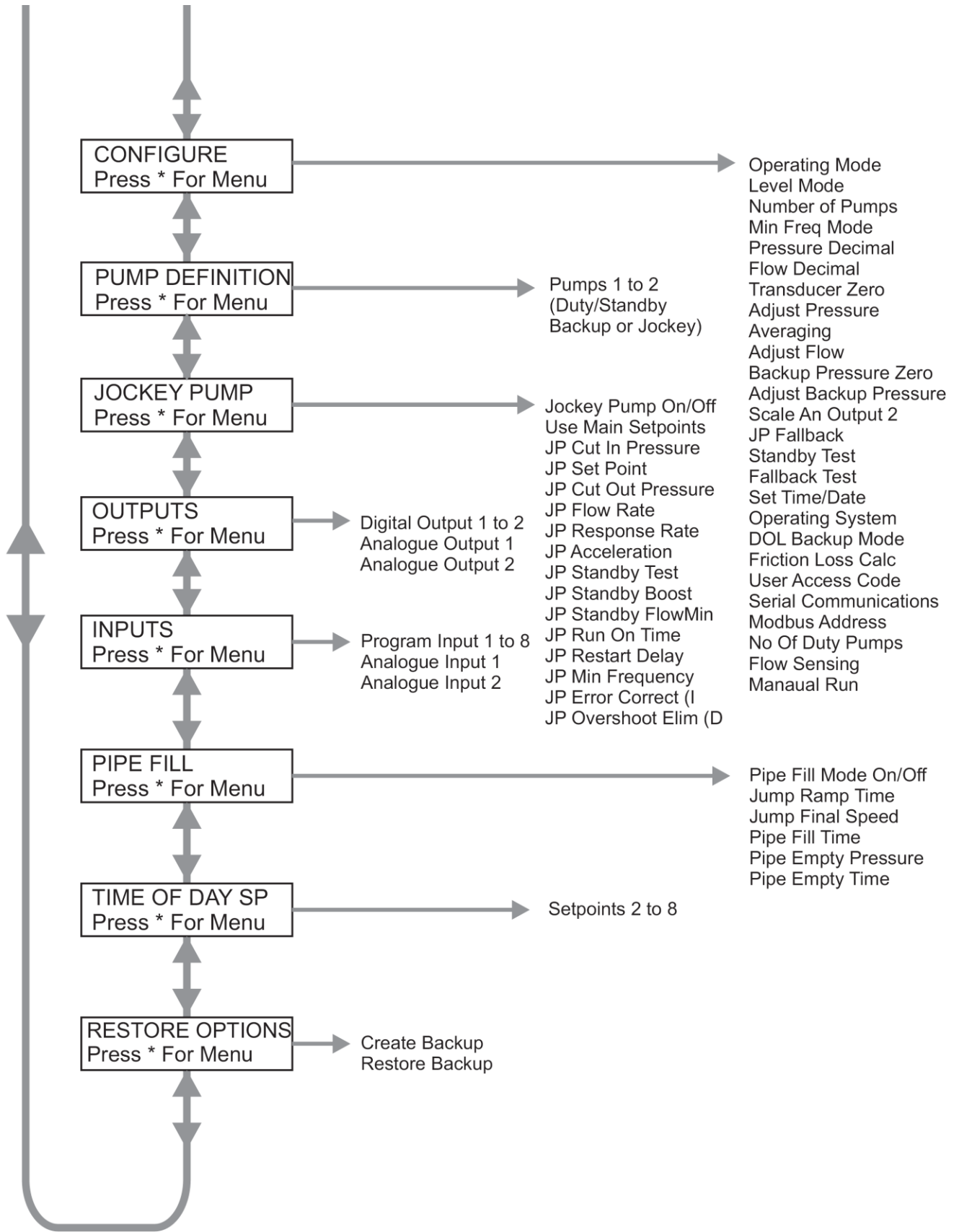
TO EXIT SUBMENUS

To move out of a submenu scroll to the top or bottom of the sub menu and the display will return to the main menu area.

MENUS

- Navigating the through the menus is very simple.
 - Press UP or Down button to navigate the Main menu set to find the appropriate sub menu.
 - Press the * to enter any Sub menu.
 - Then press down to find the required sub menu item.
 - When the required sub menu is selected, press the * button, the display will flash, then press the UP or DOWN button to change the value.
 - Press * again to lock in the data.
 - Pressing the UP or DOWN button continuously will eventually return to the main menu.





The SNAPPER+ controller has menus to allow the system to be tuned.

These menus are listed below and explained in detail later in this manual.

Main Menu	Sub Menu	Units	Range	Defaults
Set Point & Actual Pressure		number	0 - 9999 0 - 9999	Display only
Flow Rate/ min & VFD Speed		number	0 - 9999 0 - 100	Display only

FAULT HISTORY

F1	message	Type/Time/Date	Display only
F2	message	AND	
F3	message	Low Press Shutdown, High Press Shutdown, No Flow Shutdown, VFD Fault,	
F4	message	Pump 1 to 6 Fault, Pump 1 to 6 Protection,	
F5	message	High Temperature, Auto Reboot, Power Failure, Power glitch, Analog1 Error, Analog2 Error, AnComms Fault	

If "RTC ERROR" is displayed at any time, it indicates that the real time clock had not been set when the fault occurred.

To set the clock, go to the "Configure" menu and sub menu "Set Time/Date"

Sub Menu	Units	Range	Defaults
----------	-------	-------	----------

PUMP DATA LOG

	Flow Total	Unitless	0 - 9999999	display
	Average Flow Rate	/Sec	0 - 9999	display
	Average Pressure	Unitless	0 - 9999	display
	Highest Pressure	Unitless	0 - 9999	display
	Hours Run 1	hours	0 - 65535	display
!	Hours Run 2	hours	0 - 65535	display
	Pump Starts 1	number	0 - 65535	display
!*	Pump Starts 2	number	0 - 65535	display
	Pump Starts Last Hr	number	0 - 65535	display
	Analogue Input 1	%	Disabled, 0.00 - 100.00	display
*	Analogue Input 2	%	Disabled, 0.00 - 100.00	display
*	Analogue Output 1	%	0.00 - 100.00	display
*	Analogue Output 2	%	0.00 - 100.00	display
*	Digital Input State M	1 - 8	X for Active	display
*	Digital Output State	1 - 2	X for Active	display
*	PID Error	%	0.00 - 100.00	display
	Current & maximum retry	number	0 - 50 0 - 50	display
*	Temperature	degrees C	0 - 999	display
	Modbus monitor	Rx, Tx, Err	0-9999 0-9999 0-9999	display

* These menus are related to other settings. They are not visible unless relevant settings are enabled

! These menus may be hidden depending on the number of configured pumps.

Access Code

Access Code	number	0 - 250	0
-------------	--------	---------	---

Sub Menu	Units	Range	Defaults
----------	-------	-------	----------

SETTINGS

*1	Low Press Shutdown	% or Units	From 0 to Cut In Pressure	50.0%
*2	Cut In Pressure	%	From Low Pressure Shutdown to 99.9% of Set Point	75.0%
	Set Point	Unitless	0 - 9999	300
*2	High Pressure Limit	%	100.1% of Set Point to High Press Shutdown	150.0%
*2	High Press Shutdown	%	High Pressure Limit to 300%	200.0%
	Pump Flow Rate	/Sec	0 - 9999, Flow Meter	99
*	Friction Loss	Unitless	0 - 999	0
*	Set Point 2	Unitless	0 - 9999	400
*	Set Point 3	Unitless	0 - 9999	400
*	Set Point 4	Unitless	0 - 9999	400
*	Set Point 5	Unitless	0 - 9999	400
*	Set Point 6	Unitless	0 - 9999	400
*	Set Point 7	Unitless	0 - 9999	400
*	Set Point 8	Unitless	0 - 9999	400
*	Pressure Trip 1 Low	Unitless	0 - 9999	100
*	Pressure Trip 1 High	Unitless	0 - 9999	200
*	Pressure Trip 2 Low	Unitless	0 - 9999	500
*	Pressure Trip 2 High	Unitless	0 - 9999	600
*	Flow Trip Low	/Sec	0 - 9999	100
*	Flow Trip High	/Sec	0 - 9999	200

* These menus are related to other settings. They are not visible unless related settings are enabled

*1 Low pres shutdown can either be a fixed pressure value or a proportion of the set point. Pressing Up and Down together will toggle between fixed and proportional mode. Default is proportional mode.

*2 These menus are proportions of set point; They show a computed pressure in brackets to the right of the second line of the display. This computation is always based off Set Point 1. However when running the value calculated will be based off the current set point.

Sub Menu	Units	Range	Defaults
----------	-------	-------	----------

TUNING

*1	Minimum Frequency	%	0.0 - 100.0	45.0
*1	Shutoff Head	Unitless	0 - 9999	1924
*2	Response Rate (P)	%	0.1 - 100.0	2.0
	Acceleration	%/second	1 - 100	20
	Hi Press Restarts	number	Off, 1 - 250	Off
	Standby Boost	% of Setpoint	10 - 250	20
*6	Standby Flow Min	/Sec	0 - 9999	200
*5	Fallback FlowMin	Unitless /Sec	1 - 9999	200
*2	Error Correction (I)	seconds	Off, 0.1 - 100.0	3.0
*2	Overshoot Elimination (D)	%	Off, 0.1 - 50.00	15.0
*4	RR(P) EC(I) OE(D)	Numbers x 3	-1000, 1000	Display only

*These menus are related to other settings. They are not visible unless related settings are enabled

*1 Either Minimum Frequency or Shutoff Head will be displayed depending on what the required method for obtaining the point at which the pump will not contribute flow. This will either be "Calculated" via the "Shutoff Head" or "Fixed" via a "Minimum frequency" and is set in the Configure Menu.

*2 The effect of changing values in these menus are instantaneous. The system will respond as these values are changed. These menus also show the current pressure to the right in brackets to assist tuning.

*4 These three menu items are displayed on single screen.

*5 Fallback FlowMin is only displayed if “JP Fallback” is set to “On” in the CONFIGURE Menu.

*5 Standby FlowMin is only displayed if “JP Fallback” is set to “Off” and the “Standby Test” is set to “Flow Rate” in the CONFIGURE Menu.

	Sub Menu	Units	Range	Defaults
TIMING				
	Lo Press Delay	seconds	Off, 0 - 250	120
	Hi Press Delay	seconds	Off, 0 - 250	4
	In Delay Timer	seconds	0 - 999	4
	Out Delay Timer	seconds	0 - 999	1
	Restart Delay	seconds	0 - 999	0
*1	Standby Test Time	seconds	0 - 999	10
*4	Fallback Delay	seconds	0 - 999	10
*2	Boost Hold Time	seconds	Off, 1 - 250	15
	Pump Fault Timer	seconds	0 - 250	10
	No Flow Delay	seconds	0-250	10
	I/P Delay Timer	seconds	0 - 999	120
*	Press Trip Low Delay	seconds	0 - 999	0
*	Press Trip High Delay	seconds	0 - 999	0
*	Flow Trip Low Delay	seconds	0 - 999	0
*	Flow Trip High Delay	seconds	0 - 999	0
*3	Stop Time (24hr)	HH:MM	Disabled, 0:00 -> 23:59	Disabled
*3	Start Time (24hr)	HH:MM	0:01 -> 00:00	0

*These menus are related to other settings. They are not visible unless related settings are enabled

*1 “Standby Test Time” is shown depending on the setting of “Standby Test” in the CONFIGURE Menu.

*2 “Boost Hold Time” is shown in pressure mode when “Standby Test” (in CONFIGURE Menu) is set to Boost.

*3 If “Stop Time” is before “Start Time” then the Backup will run through midnight. Start Time is hidden if Stop Time is disabled.

*4 “Fallback Delay” is shown if “JP Fallback” setting is “On” in the CONFIGURE Menu.

Sub Menu	Units	Range	Defaults
----------	-------	-------	----------

CONFIGURE

Sub Menu	Units	Range	Defaults
	Operating Mode	selection	Pressure, Level,
*1	Level Mode	selection	Std An:Tank Fill, Std An:TankEmpty, Rev An:Tank Fill, Rev An:TankEmpty
	Number of pumps	number	1 – 2
	Min Freq Mode	selection	Fixed, Calculated
	Press Decimal	number	0 – 3
	Flow Decimal	number	0 – 3
*2	Transducer Zero	Unitless	0 - 9999
*2	Adjust Pressure	Unitless	0 - 10000
	Averaging	number	Disabled, 1 - 50
*4	Flow Meter Zero	/Sec	0 - 9999
*4	Adjust Flow	/Sec	0 - 10000
*9	Backup Pres Zero	Unitless	0 - 9999
*9	Adjust Backup Pr	Unitless	0 - 9999
*5	Scale An output 2	number	100 – 10000
	JP Fallback	selection	On. Off
*6	Standby Test	selection	Boost, Flow Switch, Flow Rate, Off
*8	Fallback Test	selection	Flow Switch, Flow Rate
	Set Time/Date	selection	00:00 2000 Jan 1 -23:59 2099 Dec 31.
	Operating System	selection	Lead VFD Lag
*6	Friction Loss Calc	selection	Linear, Exponential
*7	Access Code	number	Off, 0 - 250
	Serial Comms	selection	Output Cont Data, Modbus Protocol
	Modbus Address	number	1 - 31
	Flow Sensing	selection	Calculated, Scaled AnInp2, Digital Pulse
	Manual Run	selection	Input or P_But'n, Input Only

- * These menus are related to other settings. They are not visible unless related settings are enabled
- *1 Only shown if Operating Mode is set to Level.
- *2 These menus show a value that is decoupled from the value that you are changing. Thus one press up and one press down may not corresponded to +1 or -1 change in value.
- *3 These settings are by default setup for a 4-20ma sensor with the range of 0-25bar (2500 kpa). However it is still highly recommended that you calibrate the Snapper+ for your sensor.
- *4 These menus are only visible when one of the Analogue inputs is configured as a flow meter.
- *5 Menu hidden when Analogue output 2 is configured as VFD speed.
- *6 Menu hidden when in level mode.
- *7 The Access Code allows you to change the access code and also determine which features require you to enter an access code.
- *8 Menu hidden unless “JP Fallback” is set to “On” in the CONFIGURE Menu.
- *9 Menu hidden unless “Analogue Input 2” is set to “Backup Pressure” in the CONFIGURE Menu.

Sub Menu	Units	Range	Defaults
----------	-------	-------	----------

PUMP DEFINITIONS

Sub Menu	Units	Range	Defaults
	Pump 1	selection	Duty,Jockey
*	Pump 2	selection	Duty

- * Whether or not these options are shown depend on how many pumps are configured in the Configuration Menu.

Sub Menu	Units	Range	Defaults
----------	-------	-------	----------

PIPE FILL

Sub Menu	Units	Range	Defaults
Pipe Fill Mode	selection	On, Off	Off
* Jump Ramp Time	seconds	Off, 1 - 999	Off
* Jump Final Speed	%	0-100%	50
* Pipe Fill Time	seconds	5 - 999	100
* Pipe Empty Pressure	Unitless	0 - 9999	200
* Pipe Empty Time	seconds	0 - 999	200

* These menus are related to other settings. They are not visible unless related settings are enabled.

Sub Menu	Units	Range	Defaults
----------	-------	-------	----------

INPUTS

Sub Menu	Units	Range	Defaults
Program Input 1	selection	Any of the following can be selected on any input and used multiple times Not selected, Set Point 2 - 8, Soft Pause, Soft Pause JP Run, Emergency Stop, Pump 1 - 6 Protection, Pump 1 - 6 Stop, Pump 1 - 6 Manual Run, Fire Mode, Cycle Pumps, Shutdown Verify, VFD Fault, Reset, No Flow, Aux Input 1 - 3, Pump 1 - 6 No Flow Protection, Flow Pulse, Low Level Pause	VFD Fault
Program Input 2	selection		No Flow
Program Input 3	selection		Pump 1 Manual Run
Program Input 4	selection		Pump 1 Stop
Program Input 5	selection		Not selected
Program Input 6	selection		Not selected
Program Input 7	selection		Reset
Program Input 8	selection		Soft Pause
Analogue Input 1	selection	Disabled, Control Pressure, Flow, Set Point Input	Pressure
Analogue Input 2	selection	None, Control Pressure, Flow, Set Point Input, Backup Pressure	None

Sub Menu	Units	Range	Defaults
----------	-------	-------	----------

OUTPUTS

	Digital Output 1	selection	Any of the following can be selected on any output and used multiple times Shutdown Fault, Lo Press Fault, Hi Press Fault, Any Alarm, Pump 1 - 6 Run, Pump 1 - 6 Fault, System Paused, Any Pump Shutdown, Any Pump Running, No Flow Shutdown, VFD Fault, Pressure Trip 1 - 2, Alternate Trip, Flow Trip, Jockey PumpRun, Aux Output 1 - 3, Set Point Output 1-8	Jockey Pump Run
	Digital Output 2	selection		Any Pump Shutdown
	Analogue Output 1	selection	VFD Speed.	VFD Speed
	Analogue Output 2	selection	VFD Speed, Flow Rate, System Pressure	System Pressure

*These menus are related to other settings. They are not visible unless related settings are enabled.

Sub Menu	Units	Range	Defaults
----------	-------	-------	----------

RESTORE OPTIONS

	CREATE BACKUP			
*1	RESTORE BACKUP			

*1 The Restore Backup menu item is only shown when there is a valid backup present.

Sub Menu	Units	Range	Defaults
----------	-------	-------	----------

JOCKEY PUMP

	Sub Menu	Units	Range	Defaults
*	Jockey Pump Mode	selection	Main VFD, Separate VFD, DOL	Main VFD
*	JP Cut In Pressure	% of JP Setpoint	0 - 9999	83.3
2	JP Cut Out Pres	Unitless	0 - 9999	300
* 3	JP Set Point	Unitless	0 - 9999	300
*	JP Flow Rate	/Sec	0 - 9999	50
* 3	JP Response Rate	%	0.1 - 100.0	3.0
*	JP Acceleration	%/second	1 - 100	20
* 3	JP Standby Test	selection	Off,Boost,Flow Switch, Flow Rate	Boost
* 1 3	JP Standby Boost	% of JP Setpoint	5 - 250	6.6
* 1 3	JP Stdby FlowMin	/Sec	0 - 250	5
*	JP Run On Time	seconds	0 - 999	1
*	JP Restart Delay	seconds	0 - 999	0
* 3	JP Use Main SP	selection	Yes, No	No
* 3	JP Min Frequency	%	0.0 - 100.0	10
* 3	JP ErrorCorr't (I	seconds	Off, 0.1- 100.0	15
* 3	JP OverShtElim (D	%	Off, 0.01 - 50.00	4

- * All of these menus are not visible unless Pump 1 is configured to be a Jockey Pump
- 1 Menu only visible if the JP Standby Test mode is set to the matching function.
- 2 Appears when Jockey Pump Mode is set to DOL
- 3 When Jockey Pump Mode is set to DOL this optional has no function and will not be visible
- 4 Not visible when JP Use Main SP) Set Point) is set to YES

Sub Menu	Units	Range	Defaults
----------	-------	-------	----------

TIME OF DAY SP

	Sub Menu	Units	Range	Defaults
	Set Point 2 Time	time	Disabled, 00:00 - 23:59	Disabled
	Set Point 3 Time	time	Disabled, 00:00 - 23:59	Disabled
	Set Point 4 Time	time	Disabled, 00:00 - 23:59	Disabled
	Set Point 5 Time	time	Disabled, 00:00 - 23:59	Disabled
	Set Point 6 Time	time	Disabled, 00:00 - 23:59	Disabled
	Set Point 7 Time	time	Disabled, 00:00 - 23:59	Disabled
	Set Point 8 Time	time	Disabled, 00:00 - 23:59	Disabled

SYSTEM DISPLAY MENUS

Set-Pr Actual -Pr	number	0 - 9999	0 - 9999	display
Flow-Rate VFD-Sp	number	0 - 9999	0 - 100	display

Set Point and Actual Pressure

The Actual Pressure is measured in the discharge pipeline of the system by the pressure transducer and is displayed on the SNAPPER+ Pressure status screen (Actual-Pr), next to the Pressure Set Point (Set-Pr).

Set-Pr	Actual-Pr
XXXX	XXXX

If the jockey pump is running on the main VFD, then the jockey pump set point will appear. This will be denoted by "JP" alongside the value.

The Pressure Status screen is the SNAPPER+ default display. Other messages are displayed when activated; these include in order of priority: Emergency Stop, Hi Press Shutdown, Lo Press Shutdown, No Flow Shutdown, VFD Shutdown, New Fault, Lo Flow Detected, Pipe Fill Mode, Pause On JP Run, Pause Activated, Paused Low Level and High Press Limit.

After 25 minutes from the last key press the SNAPPER+ will revert to Pressure Status screen automatically.

Flow Rate and VFD Speed

The SNAPPER+ can operate on a calculated flow rate or via a 4-20mA input from a flow meter or flow meter with a digital output. The Flowrate is displayed in this screen and will show "*" adjacent to the Flowrate number if the Flowrate is a calculated flow. If the flow input is determined from a flow meter the flow is displayed without the asterisk.

Flow-Rate	VFD-Sp
XXXXX*	XXX%

The estimated flow rate is calculated from information entered into the Pump Flowrate menu. This calculation automatically compensates for the number of pumps operating and the speed of the VFD pump - it is useful in determining the system capacity. The estimated flow for the VFD pump is calculated using the pump speed and mathematical Affinity Laws. This is a calculated flow and must be treated as such. The time base for this flow is in flow per **MINUTES** and is not adjustable.

The VFD Speed is displayed as a percentage of maximum speed and is for informational purposes only.

FAULT HISTORY

F1	message	Type/Time/Date AND	display
F2	message	Hi Press Shutdown, No Flow Shutdown,	display
F3	message	VFD Fault, Pump 1 - 2 Shutdown,	display
F4	message	Lo Press Shutdown, High Temperature,	display
F5	message	Auto Reboot, Power Failure.	display

When a system fault is registered a "NEW FAULT" message will appear on the main screen. It will also be logged in the FAULT HISTORY menu. There is space for 5 faults. F1 is the most recent fault.

** NEW FAULT **

In the event of a new fault which has been automatically reset, the default screen will display the message "New Fault". Go to the FAULT HISTORY to view this fault. Faults that are active will remain live on the screen until the ENTER Key is pressed to clear the fault.

NOTE: When the power has been turned off for any reason, "POWER FAILURE" will be recorded and displayed. This does not mean the controller is faulty or the system not operating correctly. The message is intended to alert the operator of an event/issue he otherwise may not be aware of.

Faults will appear in the sub menu in the following format with the time and date included on the screen.

F1 Hi PressShut
16/08/08 20:04

NOTE: The FAULT HISTORY menu is cleared when the system is first powered up.

If there is a problem with the clock or the clock hasn't been initialised correctly then "RTC ERROR" will appear along with the fault. See "Set Time and Date" in the CONFIGURE menu for more details.

"Pump 1 - 2 Shutdown" signifies that the corresponding "Pump protect 1-6" input has been activated for the period of the input delay time.

A HIGH TEMPERATURE fault is recorded when the temperature rises above 60 degrees C. This fault will continue to be updated if the temperature continues to rise along with the time and date that the highest temperature was recorded. This fault stops being updated when the temperature drops below 55 degrees C. After this a new fault will appear if the temperature rises above 60 degrees C.

F1 Hi Temp 69C
01/04/08 11:51

"Auto Reboot" denotes that the SNAPPER+ has automatically restarted due to an internal reset, whereas "Power Failure" records that the SNAPPER+ has recovered from a power supply problem.

The FAULT HISTORY menu is always accessible (no access code is required)

PUMP DATA LOG

Flow Total	Unitless	0 - 9999999	display
Average Flow Rate	/Sec	0 - 9999	display
Average Pressure	Unitless	0 - 9999	display
Highest Pressure	Unitless	0 - 9999	display
Hours Run 1	hours	0 - 65535	display
Hours Run 2	hours	0 - 65535	display
Pump Starts 1	number	0 - 65535	display
Pump Starts 2	number	0 - 65535	display
Pump Starts Last Hr	number	0 - 65535	display
Analogue Input 1	%	0.00 - 100.00	display
Analogue Input 2	%	0.00 - 100.00	display
Analogue Output 1	%	0.00 - 100.00	display
Analogue Output 2	%	0.00 - 100.00	display
Digital Input State M	1 - 8	X for Active	display
Digital Output State	1 - 2	X for Active	display
PID Error	%	0.00 - 100.00	display
Curr & max retry	number	0-20 0-20	display
Temperature	degrees C	0 - 999	display
Modbus monitor	Rx, Tx, Err	0-9999	display

Flow Total

The Totalised Flow is displayed. It is calculated from the flow rate input and can be derived from a flow meter or the calculated "Flow Rate" figure set in the Pump Flow Rate Screen in SETTINGS.

Flow Total
XXXXXXX

If the SNAPPER+ uses Flow Rate/Sec to calculate "Total Flow", the value is based on the Average Flow input into the system. The accuracy is dependent on the average flow information and is most often in the order of accuracy of $\pm 5\%$. Site variations such as suction pressure can affect the accuracy of this figure. The FLOW TOTAL is updated every 1 minute and can be reset by pressing ENTER.

Average Flow Rate

The Average flow is calculated over the period since the last reset. The flow units are derived either from a calculated flow or the input from a flow meter. To reset press ENTER.

Average Flow Rate
XXXX /Sec

Average Pressure

The Average Pressure calculated over the period since the last reset.
To reset press ENTER.

Average Pressure
XXXX

Highest Pressure

The Highest Pressure is the highest pressure point reached since the last reset of this log. To reset press ENTER.

Highest Pressure
XXXX

Hours Run Pump 1-2

Each pump has an hour run meter.
The hour log displays the operation time for each pump in both AUTOMATIC and MANUAL modes.
To reset the time press ENTER.

Hours Run Pump1
XXXXX

Pump 1-2 Starts

The SNAPPER+ displays the number of starts for each pump. This can assist in the selection of run time settings. The starts do not increment when pumps are in MANUAL.
To reset press ENTER.

Pump Starts 1
XXXXX

Starts Last Hour

This is a totalisation of starts for all pumps over the past hour. This history can assist with tuning and trouble shooting. The value displayed is updated at ten minute intervals. The value will not be accurate or valid until 1 hour has elapsed since the last reset.
To reset press ENTER.

Starts Last Hour
XXXXX

Analogue Input 1

Displayed is the Analogue Input reading as percentage.
E.g. If the analogue input was 12mA on a 4-20mA selection then the reading in this screen would be $50.00\% - \frac{12-4}{20-4}16=50\%$

Analogue Input 1
XXX.XX%

Analogue Input 2

As per Analogue Input 1.
See INPUTS for configuration options

Analogue Input 2
XXX.XX%

Analogue Output 1

Displayed is the Analogue Output as percentage.
This output is reserved for VFD speed and cannot be changed.

Analogue Output 1
XXX.XX%

Analogue Output 2

Displayed is the Analogue Output value as percentage.
This output can be configured.
See OUTPUTS for configurable options for this item.

Analogue Output 2
XXX.XX%

Digital Input State M (Main Inputs)

Displayed is the state of the Digital inputs
X = energised
- = de-energised
See INPUTS for configurable options for this item.

Digital Input M
X - - X - - - -

Digital Output State

Displayed is the state of the Digital outputs
X = energized
- = de-energized
See OUTPUTS for configurable options for this item.

Digital Output
X -

PID Error

Displayed is the calculated error between the Set Point and actual pressure.

PID Error
XXX.XX %

Curr & Max Retry

The number under "Curr" is the current number of times the main processor has not been able to communicate with the analogue system. If it is not at Zero it indicates that the analogue system has been subject to noise and may have had to restart itself.

If this display continuously cycles from incrementing to 20 and resetting to 0, it indicates a malfunction with the analogue system (contact your dealer for advice).

The number under "Max Retry" is the maximum number of times the main processor has not been able to communicate with the analogue circuitry. If it is at 20 there may have been a disruption in the analogue system and it was unable to restart itself. The main processor has forced it to restart.

Curr & Max Retry
XXX XXX

Temperature

Displayed is the current temperature in degrees C,
read from the temperature sensor on the circuit board.

Temperature
XXX degrees C

Modbus monitor

Used to monitor serial communication data transmit & receive transaction and errors.

ACCESS CODE

Access Code	number	0 - 250	0
--------------------	---------------	----------------	----------

Press ENTER to edit the Access Code

The Access Code enables access to the pump buttons and all menus. The access code will have to be re-entered after 25 minutes of no operator activity. The system will then automatically lock the use of the keys which control the ON/OFF and AUTOMATIC and MANUAL functions. This is designed to protect the system from tampering.

Access Code
XXX

SETTINGS

Low Pressure Shutdown	Units or %	0.0% Cut In Pressure	50.0%
Cut In Pressure	% of Setpoint	Low Pressure Shutdown to 99.9%	75.0%
Set Point	Unitless	0 - 9999	300
High Pressure Limit	% of Setpoint	100.1% to High Pressure Shutdown	150.0%
High Pressure Shutdown	% of Setpoint	High Pressure Limit- 300.0%	200.0%
Pump Flow Rate	/Sec	0 - 9999, Flow Meter	99
Friction Loss	Unitless	0 - 999	0
Set Point 2	Unitless	0 - 9999	400
Set Point 3	Unitless	0 - 9999	400
Set Point 4	Unitless	0 - 9999	400
Set Point 5	Unitless	0 - 9999	400
Set Point 6	Unitless	0 - 9999	400
Set Point 7	Unitless	0 - 9999	400
Set Point 8	Unitless	0 - 9999	400
Pressure Trip 1 Low	Unitless	0 - 9999	100
Pressure Trip 1 High	Unitless	0 - 9999	200
Pressure Trip 2 Low	Unitless	0 - 9999	500
Pressure Trip 2 High	Unitless	0 - 9999	600
Flow Trip Low	/Sec	0 - 9999	100
Flow Trip High	/Sec	0 - 9999	200

Low Pressure Shutdown

Low pressure Alarm. If any pump is running and the system falls below this pressure and remains there for the period of the "Lo Pressure Delay" time (Set in the TIMING Menu), then the system will then shut down.

**LoPress Shutdown
XXXX**

Lo Press Shutdown can be either a fixed pressure or relative pressure calculated from the current Set Point. To toggle between fixed and relative, press both up and down. When Lo Press Shutdown is relative, the value is a percentage of the current set point. In relative mode a calculated pressure value (based off set point 1) is displayed in brackets on the right of the display).

A fault message will show on the main screen showing that there is a low pressure shutdown fault.

LO PRESS SHUTDWN

The fault is also recorded in the FAULT HISTORY.

To clear the fault and restart the system press the ENTER key.

NOTE: All pumps will be shut down including manual pumps.

Cut In Pressure

When the system pressure falls below the "Cut In Pressure" the system will restart. This pressure must be higher than the Low Pressure Shutdown and lower than 99.9%. On the right of the display a value in brackets indicates the calculated pressure based on set point 1.

**Cut In Pressure
XXX.X % (XXXX)**

Set Point

The Set Point is the pressure that the system will maintain. This set point is unit-less and is determined by the operator and the setting of the pressure transducer. This setting is limited to a value that is lower than the High Pressure Limit.

**Set Point
XXXX**

High Pressure Limit

The High Pressure Limit is the pressure point that stops pumps if the pressure rises above this limit.

Once the pressure rises above this figure the fixed speed pumps will shut down and the VFD rapidly decelerates. If the system pressure falls to below the High Pressure Limit the SNAPPER+ will restart and function normally.

This setting is limited to a value that is lower than the High Pressure Shutdown and higher than the highest Set Point. (This includes all other Set Points 2 to 8). On the right of the display a value in brackets indicates the calculated pressure based on set point 1.

HiPress Limit
XXX.X % (XXXX)

When a DOL pump is turned off, the following message will be displayed on the main screen for 5 seconds.

HIGH PRESS LIMIT

If the pressure is above the High Pressure Limit, turning pumps to MANUAL is also disabled.

High Pressure Shutdown

The High Pressure Shutdown shuts down the system if any pump is running, and the pressure rises above this pressure for longer than the "High Pressure Delay" time.

The High Pressure Shutdown value is limited to a value higher than the High Pressure Limit.

High Pressure Shutdown can be set for auto reset.

Set for Auto reset in the "Fault Re-start Screen" or set to OFF.

HiPress Shutdown
XXX.X % (XXXX)

On the right of the display a value in brackets indicates the calculated pressure based on set point 1.

NOTE: On reaching the High Pressure Shut Down all pumps will be shut down including manual pumps.

Pump Flow Rate

There are two options for the Flow rate figure:

Actual Flow rate

Calculated Flow rate

Pump Flow Rate
XXXX /Sec

ACTUAL FLOW RATE

The analogue input programmed for Flow rate Input can read the input from a Flow Meter to register the flow. This input is a 4-20mA analogue or pulsed signal.

See Flow Meter Calibration (CONFIGURE) for additional information.

CALCULATED FLOW RATE

This figure is the flow rate of the pump at the nominated set point at full motor speed. It is read from a manufacturer's pump curve and input as a flow rate / minute. Any units can be used for this figure however the time units are fixed at MINUTES.

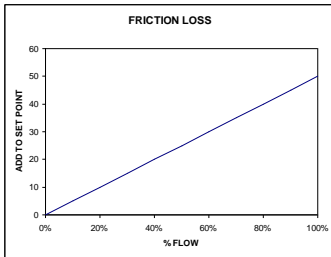
Each time the Set Point is changed this figure must be modified to maintain accuracy.

The calculation is done on the number of pumps running at any time with an adjustment for pump speed on the VFD pump based on "Affinity Law" calculations.

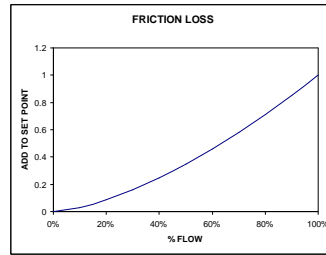
Friction Loss

Friction loss is the figure that is added to the Set Point to compensate for Friction in a pipeline. The setting increases the Set Point Pressure based on the calculated flow rate. The increase in Set Point is proportional to the calculated flow rate. The input figure is the total additional pressure required when all of the nominated pumps are operating.

**Friction Loss
XXX**



Linear Friction Loss



Exponential Friction Loss

NB. Make sure that the friction loss figure is less than the difference between the highest Set Point and High Pressure Limit.

Set Point 2-8

The SNAPPER+ has the option to set 8 Set Points that can be triggered by a Digital Input or via a time of day event.

**Set Point 2
XXXX**

This allows a variation to the main Set Point to be made remotely.

It changes the main Set Point to the value nominated in alternate Set Points 2 through 8. To select this option, an input is programmed to function as Set Point 2 to 8 and is activated by closing the contact between the nominated input and the Input Common OR by using the timed Set Point feature.

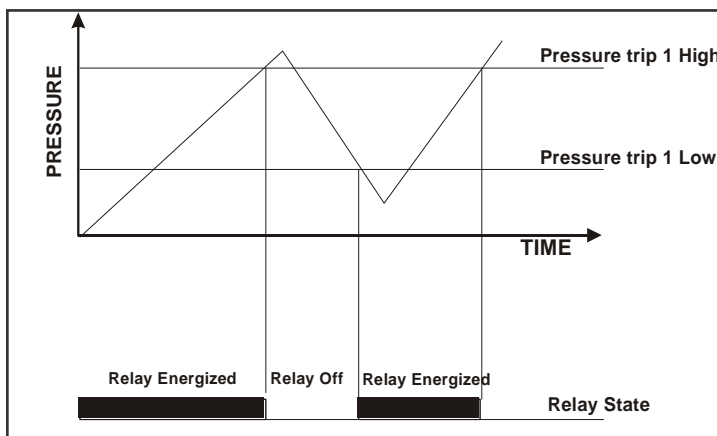
Screens Set Point 2 – 8 are hidden unless an input is nominated as the corresponding set point within the INPUTS menu or a timed set point option is set.

Pressure Trip 1 Low

The SNAPPER+ has the ability to energise an output relay based on a nominated system pressure. This can be useful to signal other elements of a system not under control of the SNAPPER+. See Output Relays for information on how to set this feature.

**Press Trip 1 Low
XXXX**

Pressure Trip 1 - the designated relay will energize on reaching Pressure Trip 1 entered value (either Pressure Trip Low and/or Pressure Trip 1 High).



Pressure Trip 1 High

The High Trip point has a matching low Trip point. If a single trip point is required, set the High and Low trip points to the same value. Note: The settings of Trip high must be greater than or equal to Trip low. The system does not allow settings to be selected outside this range.

**Press Trip 1 Hi
XXXX**

The "Pressure Trip 1 Low" and "Pressure Trip 1 High" screens will only appear if an output is set to "Pressure Trip 1" within the OUTPUTS menu.

Pressure Trip 2 Low

Operates as per Pressure Trip 1 Low.

**Press Trip 2 Low
XXXX**

Pressure Trip 2 High

Operates as per Pressure Trip 1 High.

The "Pressure Trip 2 Low" and "Pressure Trip 2 High" screens will only appear if an output is set to "pressure trip 2" within the OUTPUTS menu.

**Press Trip 2 Hi
XXXX**

Flow Trip Low

This setting is used to energise an output relay if the flow rate is below this figure. The delay time for this setting is defined in the TIMING Menu under Flow Trip Low Delay Time. See OUTPUTS for additional information.

**Flow Trip Low
XXXX /Sec**

Flow Trip High

Low Trip High can be set to deactivate an output relay if the flow rate exceeds a nominated value. The delay time for this setting is defined in the TIMING menu under "Flow Trip High Delay Time". See OUTPUTS for additional information.

**Flow Trip High
XXXX /Sec**

The "Flow Trip Low" and "Flow Trip High" screens will only appear if an output is set to "flow trip" within the OUTPUTS menu.

TUNING

Minimum Frequency	%	0.0 - 100.0	45.0
Shutoff Head	Unitless	0 - 9999	1924
Response Rate	%	0.1 - 100.0	2.0
Acceleration	%/second	1 - 100	20
High Press Restarts	number	Off, 1 - 250	Off
Standby Boost	% of Setpoint	10 - 250	20
Standby Flow Min	/Sec	0 - 9999	200
Error Correction (I)	seconds	Off, 0.1 - 100.0	3.0
Overshoot Elimination (D)	%	Off, 0.1 - 50.00	15.0
RP(P) EC(I) OE(D)	number	-1000, 1000	display

Minimum Frequency or Shutoff Head

The minimum frequency is the lowest setting at which a pump will begin to contribute to the system pressure. This value is expressed as a percentage.

This is the minimum frequency at which the SNAPPER+ determines that a pump is to be stopped as at this speed it is not contributing flow.

There are two ways to setup the Minimum Frequency, **“Fixed”** or **“Calculated”**; this is selected by editing the **“Min Freq Mode”** option In the **Configuration Menu**.

Fixed - a fixed valve is selected for all set points.

The pump minimum frequency (Hz) can be found in your pump’s data sheet. Divide this minimum value by the maximum speed of the pump (Hz) and multiply the result 100 to get minimum frequency (%). Enter this value

Min Frequency
XX.X %

Calculated - The Shutoff Head of the pump is entered and the Min Frequency is then calculated based on the Shutoff Head value and the current set point. The actual calculated minimum pump speed is shown on the right hand side of the display.

Shutoff Head
XXXX (XX.X%)

Response Rate (Proportional)

The response rate is a figure used to set the speed of reaction of the system. It is expressed as a percentage ranging from 0.1 - 100.0.

0.1 is the slowest response and 100.0 the fastest.

The current pressure reading is also displayed to assist while tuning – Shown above as “nn”

Response Rate
XXX.X % (nn)

Acceleration

The acceleration of the VFD can be limited by this figure. It is designed to Brake the PID control. It is used in cases where the Acceleration needs to be dampened. The figure is input in %/second.

Acceleration
XXX %/second

High Pressure Restarts

This setting allows the operator to set the number of times that the system can shutdown and automatically restart after a High Pressure Shutdown.

The range is from Off to 1-250.

“Off”- the system shuts down after the High Pressure delay timer trips (default).

“Automatic restart” – (per hr) The SNAPPER+ will allow “X” restarts in an hour commencing from the first High Pressure Fault. A message **“New Fault”** appears on the main screen on each restart and is logged in the fault log.

HiPress Restarts
XXX

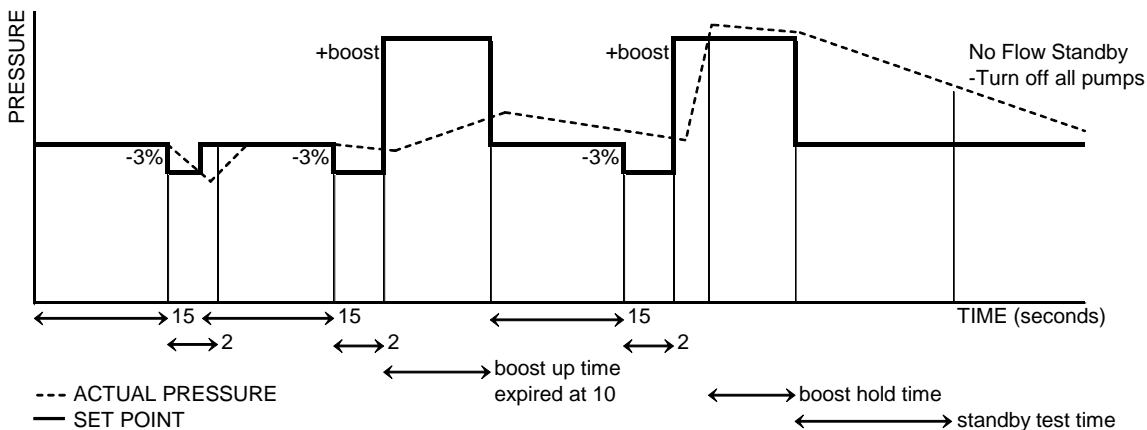
Standby Boost / Standby Flow Min

The SNAPPER+ uses one of three methods to determine if there is “no flow”. The options detailed below are selected via the “Standby Test” screen, which is in the CONFIGURE menu. Each test is only carried out if there is **1 pump running, not at maximum speed** and the **system pressure is at or above the Set Point**.

**Standby Boost
XXX**

Boost: The SNAPPER+ tests for “No Flow” by boosting the system pressure to a new pressure, typically 5% higher than the set pressure (“Standby Boost”) for a period of time (“Boost Hold Time”) and then checks the system pressure response over a period of time (“Standby Test Time”). The “Standby Boost” pressure sets the amount the Set Point pressure is boosted by. The time that it takes to drop back to the Set Point is compared to the Standby Test time.

*** **NOTE** *** If the time to return to “Set Point” is less than the “Standby Test” the system continues to operate. If the system pressure does not drop to the set point over the test time, the SNAPPER+ assumes there is “NO FLOW” and will pause operation until the cut in pressure point wakes the SNAPPER+ to start up again.



In this mode the “Standby Boost” screen will be visible and “Standby Flow/Sec” will be hidden.

Flow Switch: If an SNAPPER+ input is programmed to “No Flow”. The flow switch is connected to the selected SNAPPER+ input and when activated the SNAPPER+ will turn off the pump after a period nominated by the standby test time. In this mode both the “Standby Boost” and “Standby Flow/Sec” screens will be hidden.

Flow Rate: If a flow meter is connected to an analogue or a pulsed input and set up properly and the flow rate is below the nominated amount in this menu for the period of the standby test time the system will be placed in standby mode. In this mode the “Standby Flow Min” screen will be visible and “Standby Boost” will be hidden.

**Standby Flow Min
XXXX /min**

Error Correction (Integral Time)

The error correction time is the time taken to convert a constant error of 1% to a 1% change on the output. The error correction component is proportional to the tracking error and increases linearly with time. It is useful when trying to close the gap on small errors that cannot be eliminated through the use of the response rate alone. It is expressed as a percentage ranging from Off, 0.1 - 100.0. Off will disable this part of the PID equation. The current pressure reading is also displayed to assist while tuning – Shown above as “nn”

**Error Correct (I)
XXX.X secs (nn)**

Overshoot Elimination (Derivative Gain)

The overshoot elimination gain provides a damping effect to eliminate system oscillation and to minimize overshoot. It is expressed as a percentage ranging from Off, 0.01 – 50.00. Off will disable this part of the PID equation. The current pressure reading is also displayed to assist while tuning – Shown above as “nn”

**OvershootElim (D)
XX.XX % (nn)**

RR(P) Proportional Output

Displays the proportional component within the PID equation. Proportional is another name for "Response Rate".

RR(P) EC(I) OE(D)
XXX XXX XXX

EC(I) Error Correction

Displays the error correction component within the PID equation.

OE(D) Overshoot Elimination

Displays the overshoot elimination component within the PID equation.

These three "Output" display values help in the tuning of the Snapper+. Each has a range of -1000 to 1000. See PID Control for more information.

TIMING

Low Pressure Delay	Seconds	Off, 0 - 250	120
High Pressure Delay	seconds	Off, 0 - 250	4
In Delay Timer	seconds	0 - 999	4
Out Delay Timer	seconds	0 - 999	1
Restart Delay	seconds	0 - 999	0
Standby Test Time	seconds	0 - 999	10
Boost Hold Time	seconds	Off, 1 - 250	15
Pump Fault Timer	seconds	0 - 250	10
Now Flow Delay	seconds	0 - 250	10
Input Delay Timer	seconds	0 - 999	120
Pressure Trip Low Delay	seconds	0 - 999	0
Pressure Trip High Delay	seconds	0 - 999	0
Flow Trip Low Delay	seconds	0 - 999	0
Flow Trip High Delay	seconds	0 - 999	0
Change Over Delay	seconds	0.00 - 10.00	0.30
Stop Time (24hr)	HH:MM	Disabled, 0:00 - 23:59	Disabled
Start Time (24hr)	HH:MM	0:01 -> 00:00	Disabled

Low Pressure Shutdown Delay

Time delay for the "Low Pressure Shutdown".
The range for this is "OFF, 0-250 sec".

LoPressure Delay
XXX seconds

OFF - The system will ignore any low-pressure shutdown commands.

**** CAUTION**** low pressure faults can be caused by systems failures. Forcing pumps to run in the presence of faults can cause damage to pumps and equipment. The Low & High Pressure delay timers are independent of each other and can be set to suit individual needs.

High Pressure Shutdown Delay

Delays the response "High Pressure Shutdown".
The range for this is "OFF, 0-250 sec".

HiPressure Delay
XXX seconds

OFF - The system will ignore any high-pressure shutdown commands. ******

CAUTION** High pressure faults can be caused by systems failures. Forcing pumps to run in the presence of faults can cause damage to pumps and equipment. The Low & High Pressure delay timers are independent of each other and can be set to suit individual needs.

In Delay Timer

The "IN DELAY TIMER" is used to delay the starting of additional pumps.
When the system pressure drops below the "Cut In Pressure" the system starts the first pump according to the "restart timer".

In Delay Timer
XXX seconds

Additional pumps start when called upon after the "In Delay Timer" has elapsed.

This timer is designed to assist in the reduction of Short Cycling by allowing the system to stabilise before additional pumps are started.

Out Delay Timer

When the pumps are called to shut down, a delay can be set using the “**OUT DELAY TIMER**”.

****CAUTION**** Take care in setting this timer as the increase in pressure due to this delay can cause pressure spikes.

**Out Delay Timer
XXX seconds**

Restart Delay

When the system pressure drops below the Cut In Pressure the SNAPPER+ restart will be delayed by the RESTART DELAY.

**Restart Delay
XXX seconds**

Standby Test Time

The “**Standby Test Time**” selects how long the pressure should take to drop back down to the setpoint after a Standby Boost to determine if there is little or no flow.

- If the “Boost Pressure” drops back to the “Set Point” within the “Standby Test Time” then the SNAPPER+ determines that there must be flow and continues to operate.
- If the “Boost Pressure” does not drop down to the “Set Point Pressure” within the “Standby test Time” the SNAPPER+ detects “NO FLOW” and the system will be placed in Standby mode..

**Standby Test Tm
XXX seconds**

Boost Hold Time

This timer will hold the Boost Set pressure at the boosted value for the time nominated to ensure that all mainlines, pressure tanks etc are fully pressurised. This screen is visible when “Boost” is selected in the Standby Test screen within the CONFIGURE menu.

**Boost Hold Time
XXX seconds**

No Flow Timer

This timer delays a “No Flow” shutdown by the given entered value in seconds .

**No Flow Timer
XXX seconds**

Input Delay Timer

This timer sets the delay for reaction to inputs: NO FLOW and PUMP 1-6 PROTECTION.

**I/P Delay Timer
XXX seconds**

Pressure Trip Low Delay

Delays the activation of the SNAPPER+ Output Relay when programmed for Pressure Trip (both Pressure Trip 1 & 2)

**Pres Trip Lo Dly
XXX seconds**

Pressure Trip High Delay

Delays the deactivation of the relevant Output relay if programmed for Pressure Trip (both Pressure Trip 1 & 2)

**Pres Trip Hi Dly
XXX seconds**

The screens “Pressure Trip Low Delay” and “Pressure Trip High Delay” are only visible if at least one output is set to “pressure trip 1” or “pressure trip 2” in the OUTPUTS menu.

Flow Trip Low Delay

Delays the activation of the relevant SNAPPER+ Output if programmed for Flow Trip. This delay timer is relevant for the Low Flow Trip setting.

**Flow Trip Lo Dly
XXX seconds**

Flow Trip High Delay

Delays the deactivation of the relevant SNAPPER+ Output relay if programmed for Flow Trip. This delay timer is relevant for the High Flow Trip setting.

**Flow Trip Hi Dly
XXX seconds**

The screens “Flow Trip Low Delay” and “Flow Trip High Delay” are only visible if an output is set as “flow trip” in the OUTPUTS menu.

Stop Time (24hr) and Start Time (24hr)

The “Stop Time” and “Start Time” option allows a period of time to be set where the system will be paused.

**Stop Time (24hr)
XX:XX (hh:mm)**

For Example:

1. Stop Time: 15:00 - Start Time: 16:00
The system pauses at 3:00 pm each day for 1 hour.
2. Stop Time: 23:00 – Start Time: 6:00
The system pauses at 11:00 pm each day and starts again at 6:00 am the next day.

**Start Time (24hr)
XX:XX (hh:mm)**

The “Stop Time” and “Start Time” requires the current time and date be set correctly in the configure **menu**.

CONFIGURE

Operating Mode	selection	Pressure, Level, Flowrate, Temperature	Pressure
Level Mode	selection	Std An:Tank Fill, Std An:TankEmpty, Rev An:Tank Fill, Rev An:TankEmpty	Std An:Tank
Number of pumps	number	1 - 2	1
Min Freq Mode	selection	Fixed, Calculated	Fixed
Press Decimal	number	0 – 3	0
Flow Decimal	number	0 – 3	0
Transducer Zero	Unitless	0 - 9999	
Adjust Pressure	Unitless	0 - 10000	
Averaging	number	0 - 50	5
Flow Meter Zero	/Sec	0 - 9999	
Adjust Flow	/Sec	0 - 10000	
Backup Pres Zero	Unitless	0 - 9999	0
Adjust Backup Pr	Unitless	0 - 9999	0
Scale An output 2	Number	100 – 10000	1000
JP Fallback	selection	On. Off	Off
Standby Test	selection	Boost, Flow Switch, Flow Rate	Boost
Set Time/Date	selection	00:00 2000 Jan 1 -23:59 2099 Dec 31.	00:00 2000 Jan 1
Operating System	selection	Lead VFD Lag	
Friction Loss Calc	selection	Linear, Exponential	Linear
Access Code	number	Off, 0 - 250	21
Serial Comms	selection	Output Cont Data, Modbus Protocol	Modbus Protocol
Modbus Address	number	1 - 31	1
Flow Sensing	selection	Calculated, Scaled AnInp2, Digital Pulse	Calculated
Manual Run	selection	Input or P_But'n, Input Only	Input or P_But'n

Operating Mode

Select the Control Parameter relevant to the operation.

The options are:

- Pressure Control
- Level Control

**Operating Mode
Pressure**

When the relevant selection is made the menu screens will change to reflect the control parameters.

Level Mode

Level Mode selects whether the SNAPPER+ is associated with a “Tank Filling” or “Tank Emptying” application and the level sensing set up.

Level Mode
Std An:Tank Fill

- Std An:Tank Fill – Tank Filling with a sensor that increases output signal as the tank fills.
- Std An:Tank Empty – Tank Emptying with a sensor that decreases output signal as the tank empties.
- Rev An: Tank Fill – Tank Filling with a sensor that decreases output signal as the tank fills.
- Rev An: Tank Empty – Tank Emptying with a sensor that increases output signal as the tank empties.

Number of Pumps

Select the number of pumps in the system.
Related menus will appear in other menus.

Number of Pumps
X

Note: This number includes the Jockey Pump if selected.

Minimum Freq Mode

The Minimum Frequency Mode selector determines how the minimum frequency is set.

Min Freq Mode
Fixed

- **Fixed mode** - Minimum frequency is manually determined and the value entered in the “TUNING”.
See TUNING

Calculation - Minimum frequency is calculated from the SETPOINT (in settings menu) and the shutoff head (in tuning menu).

Pressure Decimal Places

Decimal resolution for all pressure display.
Please note, this affects how pressure values are displayed and does not effect the SNAPPER+ functionality in any way.

Press Decimal
X

Flow Decimal Places

Decimal resolution for flow display.
Please note, this affects how flow values are displayed and does not affect the SNAPPER+ functionality in any way.

Flow Decimal
X

Transducer Zero

The Transducer Zero adjusts the zero offset in the pressure sensor.
Remove pressure in the system and disconnect the pressure tube.

Transducer Zero
XXXX

Automatic Zero.

Press ENTER (*) to begin editing the ZERO PRESSURE; then press and hold both UP and DOWN buttons together for 1 second or until “Finding Zero” is displayed on the screen.

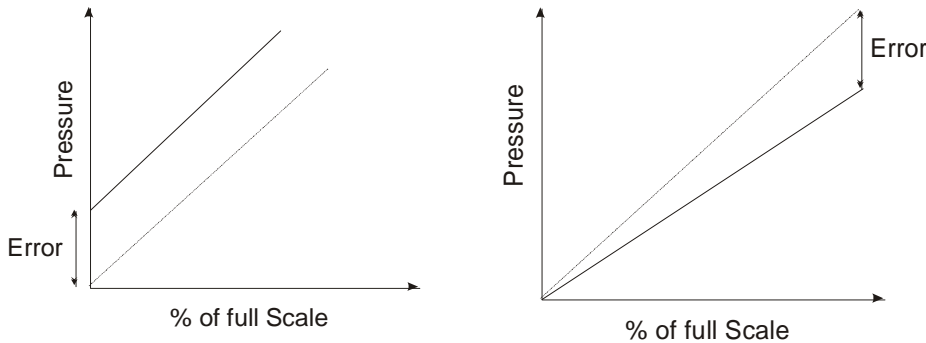
In 5-20 seconds zero will be displayed; press ENTER (*) to finish the operation.

Manual Zero (Primary Transducer)

Press ENTER (*) and then the DOWN key to decrease the displayed value to ZERO. If "Value Too Low" appears, increase the value slowly by pressing the UP key until a zero value is obtained. *NOTE* The value does not change with each press of the UP/DOWN key. Press and hold the UP/DOWN key for rapid change and single press for small change.

When ZERO is displayed press ENTER (*) to finish the operation.

Reconnect pressure tube before re-enabling pumps.



Adjust Pressure (Primary Transducer)

The calibration of the analogue sensors is achieved by adjusting the pressure reading on this screen to match a reading from a pressure gauge. This will only need to be done if a new or non-standard Techsys transducer is fitted.

**Adjust Pressure
XXXX**

Once the system pressure has stabilised, press the ENTER key and then either UP or DOWN keys to match the reading on this screen to suit a pressure gauge reading. Once the readings are matched the system pressure is calibrated. Press ENTER again and then exit the menu to store the data.

Transition to the new reading may take some time to settle, wait for 5 seconds before accepting the adjustment.

Averaging

The displayed pressure responsiveness is dampened to reduce fluctuations in the readout. Decrease Responsiveness with a higher "AVERAGING" value and increase responsiveness with a lower number.

**Averaging
XX**

Flow Meter Zero OR Backup Pres Zero (Backup Transducer)

Flow
The Flow Meter Zero adjusts the zero in the Flow Meter input. With no flow press ENTER and then the UP or DOWN keys to set the reading to "0". Be sure that the flow meter is connected to the relevant input. If the value input is too low then the message "VALUE TOO LOW" will appear. If this has occurred press the UP key until a zero value appears. Press ENTER again and then exit out of the menu to initiate a store of the "zero" value.

**Flow Meter Zero
XXXXX /Sec**

Backup

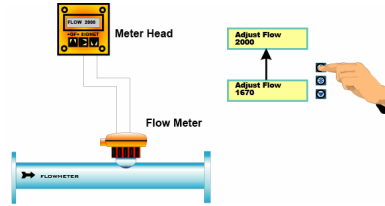
If Analogue input is configured to be a backup pressure transducer then this display will be displayed instead of Flow. When the backup transducer is selected it will automatically swap between transducers should one transducer become out of range. Out of range is defined as a reading greater than 95% or less than 18%. For it to work effectively it has to be zeroed exactly the same as the primary transducer.

**Backup Pres Zero
XXXX**

Adjust Flow OR Adjust Backup Pr (Backup Transducer)

Flow

The calibration of the analogue sensors is achieved by adjusting the SNAPPER+ Flow Meter reading to match the reading from the system Flow Meter.



**Adjust Flow
XXXXX /min**

Backup

If the Analogue input is configured to be a backup pressure transducer then this display will be displayed instead of Flow. When the backup transducer is selected it will automatically swap between transducers should one transducer become out of range. Out of range is defined as a reading greater than 95% or less than 18%. For it to work effectively it has to be adjusted exactly the same as the primary transducer.

**Adjust Backup Pr
XXXX**

Scale An Output

This allows the analogue input to be re-scaled and sent to other devices.

1000 = 1:1, 2000 = 2:1

(Output twice the input value).

Refer to Outputs to select either Flow, Pressure or VFD Speed references

**Scale An Output
XXXXX**

Standby Test

The SNAPPER+ uses one of three methods to detect “NO FLOW”

- **Boost** - Add extra pressure to the system and time how long it takes to fall back to the set point.
- **Flow switch** - If a flow switch closes the contact an SNAPPER+ input programmed to “No Flow” then the system shuts down. This shut down reason is NOT registered as a fault.
- **Flow Rate** - If the flow rate in the system is below the nominated amount in this menu the system will shut down. A flow meter is required for this selection.

**Standby Test
Boost**

For more information see “Standby Boost” in the TUNING section.

JP Fallback

If SNAPPER+ pump 1 is configured as a Jockey Pump and the “Standby Test” option method is set to “Flow Switch” or “Flow Rate” then the system can be configured to automatically fall back to operate on the Jockey Pump when a flow switch input is sensed OR the flow rate is the flow is below the “Fallback FlowMin” setting in the TUNING menu. When fallback is enabled there is a delay timer associated with this action, it is the “Fallback Delay” and is in the TIMING menu.

**JP Fallback
On**

Set Time / Date

Select a field and press the ENTER key. Set the time or date field and press the ENTER KEY again. This will highlight the next set of numbers. A flashing cursor will signal which field is being edited.

**Set Time/Date
12:00 2010 Jul 01**

If the screen reads “00:00 2000 Jan 01” (the default), then the time and date need to be initialised. Set the relevant fields as above.

Friction Loss Calculation

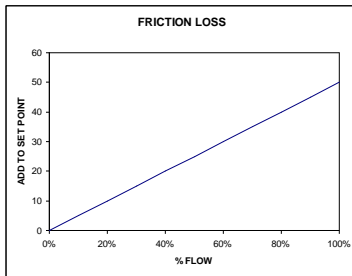
There are two methods of calculating the pressure loss.

**Friction Loss
Linear**

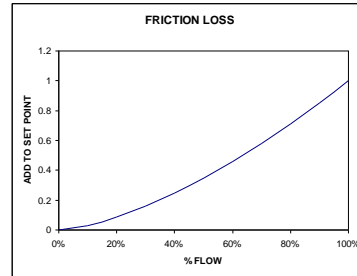
- Linear progression.
- Exponential extrapolation.

Friction loss is the figure that is added to the Set Point to compensate for Friction in a pipeline. The result of this setting is to increase the Set Point Pressure based on the flow rate calculated.

The input figure is the total additional pressure required when all of the nominated pumps are operating.



Linear Friction Loss



Exponential Friction Loss

Exponential extrapolation

Select this option to vary the set point based on the basis of the flow to the power of 1.52.

$$\text{Set Point} = \% \text{Flow}^{1.52}$$

User Access Code

The access code is used to limit access to the settings menus.

The user access code has the range "off, 0 – 250".

Off will disable the access code and allow unlimited access.

Once a number is selected then access to the settings screens or any other editable screen will require the inputting of this number before progressing further.

To edit press enter and then up or down keys to edit the new number.

Press enter again and exit the menu to store the changes.

WARNING. If the Access Code is changed from the default of 21 and then forgotten it may restrict access to other authorised users. Ensure that the new Access Code is recorded in the Site Record section of this manual AND if necessary another safe place.

**Access Code
XXX**

Serial Comms

Serial Comms selects how the onboard RS-485 serial port is used.

- Output Cont Data options is a data logging option that allows the pump station to be remotely or locally logged.
- Modbus Protocol allows modbus compatible interfaces to monitor and adjust values during operation.

**Serial
CommsModbus**

** Please make inquired to Techsys to obtain the relevant manuals and datasheets for the Snapper+'s modbus interface.

Modbus Address

The Modbus Address setting allows changes to the SNAPPER+'s address when installed on network of modbus devices. This allows more than one device to

be used on a network to avoid conflicts with other modbus devices.

Modbus AddressXX

Flow Type

The “Flow Type” setting allows the user to select how the flow rate is determined. Options are Calculated, Scaled AnInp2 or Digital Pulse.

**Flow Type
Calculated**

- “Calculated” uses the flow rate setting “Pump Flow Rate” in the settings menus to calculate the current Flow Rate.
- “Scaled AnInp2” uses an analogue sensor (ether current-loop or variable voltage) to determine the current Flow Rate.
- Digital Pulse uses a compatible digital output flow meter to determine the current Flow Rate.

Manual Run

On particular applications it is necessary to prevent an operator from running a pump manually which would normally be done by pressing and holding the “P” button.

**Manual Run
Input or P_But'n**

When “Input or P_But'n” is selected both manual pump run actions are available.

When “Input Only” is selected to run a pump manually an input programmed to be pump manual run is required and activated via an external switch. A typical application would be a pump Auto/Off/Manual switch.

PUMP DEFINITIONS

Pump 1	selection	Duty, Jockey	Duty
Pump 2	selection	Duty	Duty

Duty

If a pump is defined as **Duty**, then the relevant pump will be **available** for operation.

**Pump 1
Duty**

The number of pumps visible in these screens is determined by the “number of pumps” screen within the CONFIGURE menu.

JOCKEY PUMP

If pump 1 is defined as Jockey the “JOCKEY PUMP” menu will become visible.

Jockey Pump Mode	selection	DOL, Main VFD, Separate VFD	Main VFD
JP Cut In Pressure	% of JP Setpoint	0 - 9999	250
JP Cut Out Pres	Unitless	0 - 9999	300
JP Set Point	Unitless	0 - 9999	300
JP Flow Rate	/Sec	0 - 9999	50
JP Response Rate	%	0.1 - 100.0	3.0
JP Acceleration	%/second	1 - 100	20
JP Standby Test	selection	Off,Boost,Flow Switch, Flow Rate	Boost
JP Standby Boost	% of JP Setpoint	5 - 250	5
JP Stdby FlowMin	/Sec	0 - 250	5
JP Run On Time	seconds	0 - 999	1
JP Restart Delay	seconds	0 - 999	0
JP Use Main SP	selection	Yes, No	No

The Jockey pump is typically a smaller auxiliary pump that is outside the flow range of the main pumps. The jockey pump will turn on when there are no main pumps running and the pressure is below Jockey “Cut-In” Pressure. The Jockey pump can be set up to “run-on” after the main pumps start but it will eventually be turned off. Once the main pump/s are running, they will then meet the increased demand. Should the demand then drop to a point where the main pump become inefficient then the system can be configured to fall back to the Jockey pump. To do this, set the “Standby Test” in CONFIGURE to “Flow Rate”. The “JP Fallback” option screen can then be changed from Off to On, this screen is also in CONFIGURE. The correct main pump flow rate has to be entered or alternatively a flow meter attached, then a minimum flow rate is set in the “Fallback FlowMin” screen which is in the TUNING menu.

Jockey Pump Mode

The jockey pump can function on any of the settings below:

Jockey Pump Mode Main VFD
--

Main VFD

The Jockey pump will be run from the main VFD. It will try to maintain SET POINT via the response rate, error correction time and overshoot elimination gain. In this mode the jockey pump will turn off whenever any main pumps start.

Separate VFD

The Jockey pump will run on its own dedicated VFD. It will try to maintain SET POINT via the response rate, error correction time and overshoot elimination gain. In this mode when a main pump starts the jockey pump CAN continue to run at maximum speed until the Jockey Pump “Run on timer” expires.

DOL

The Jockey pump will be run from a DOL contactor. It will run as a switched type pressure control system with JP Cut In and Cut Out determining when the jockey pump turns on and off . In this mode when a main pump starts the jockey pump CAN continue to run while the run on timer is active.

JP Cut In Pressure

The “JP Cut In Press” is the Pressure which the pump defined as Jockey pump will restart. This value cannot be set above the JP Set point and typically it is set at around 90% of the JP Set point and also above the main pump Cut In Pressure by at least 10%. If set below the main pump cut in setting the Jockey pump will never operate. The number in brackets on the RHS of the bottom line is the actual pressure setting based on the percentage setting.

JP Cut In Press XX % (123)
--

JP Set Point / Cut Out

The pressure the Jockey Pump will maintain. This value will be constrained by HIGH PRESSURE LIMIT.

JP Set Point XXXX

This screen will appear as “JP Cut Out Press” when Jockey Pump Mode is set as DOL.

JP Cut Out Press XXXX
--

JP Flow Rate

The jockey pump is typically much smaller than the main pumps therefore the appropriate pump flow rate needs to be entered to obtain a more accurate calculated flow rate and min flow requirements.

JP Flow Rate XX/Sec

JP Response Rate

Set the reaction rate (responsiveness) of the system. This value is specific to The jockey pump if the Jockey Pump is running on the VFD. It is expressed as a percentage ranging from 0.1 – 100.0 0.1 is the slowest response and 100.0 the fastest.

JP Response Rate XX.X %
--

JP Acceleration

The acceleration of the VFD can be limited by this figure. It is designed to brake the PID control. It is used where the Acceleration needs to be dampened. The figure is input in %/second.

**JP Acceleration
XXX %/second**

JP Standby Test

This option allows the Jockey Pump a number of different modes to determine if the system should be placed in standby mode.

Off- Standby test is disabled therefore the system will always run unless controlled by an external signal.

Boost- Operates as detailed in other parts of this manual.

Flow Rate- If set to this mode, when the calculated or actual flow rate falls below the value "JP Stdby FlowMin" for a period greater than set in the "Standby Test Time" which is in the TIMING menu then the system is placed in standby mode.

Flow Switch- If set to this mode, when an input is programmed to become the flow switch input and this input is activated for a period greater than set in the "Standby Test Time" which is in the TIMING menu then the system is placed in standby mode.

**JP Test
Boost**

JP Standby Boost

The SNAPPER+ tests to see if the system flow has stopped by boosting the system pressure. The "Standby Boost" pressure sets the pressure boost.

The time that it takes to drop back to the SET POINT is compared to the

"Standby Test" timer. If the time to return to the SET POINT is greater than this time, then the system shuts down. If the time to return to SET POINT is less than the "Standby Test" time then the system continues to operate.

**JP Standby Boost
XXX**

JP Stdby FlowMin

Should the calculated or actual Jockey Pump flow rate fall below the "JP Stdby FlowMin" value for a period greater than set in the "Standby Test Time" which is in the TIMING menu, then the system is placed in standby mode.

**JP Stdby FlowMin
XXX**

JP Run On Time

The Jockey pump can be forced to keep running for a set period of time after the main system has started.

**JP Run On Time
XXX seconds**

NB. The jockey pump will not "run on" when selected as MAIN VFD in the JOCKEY PUMP MODE menu. Instead it will instantly turn off when an auto pump starts. A VFD can only run one pump at any time.

JP Restart Delay

When the pressure drops below the JP Cut In

Pressure and remains there the Jockey pump will start after this period.

Given no auto pumps have started.

**JP Restart Delay
XXX seconds**

JP Min Frequency

This is the minimum frequency specific to the Jockey pump. See MINIMUM FREQUENCY in TUNING menu for more information.

**JP Min Frequency
XX.X %**

JP Error Correction (Integral Time)

The error correction is the time it will take to convert a constant error of 1% to a 1% change on the output. This is useful when trying to close the gap on small errors that can not be eliminated through the use of the response rate alone.

This value is specific to when the jockey pump is running on the VFD.

**JP ErrorCorr't (I
XX.X seconds**

It is expressed as a percentage ranging from OFF, 0.1 - 100.0. OFF will disable this part of the PID equation.

JP Overshoot Elimination (Derivative Gain)

The overshoot elimination gain is used to provide a damping effect to eliminate system oscillation and to minimise overshoot. This value is specific to when the jockey pump is running on the VFD.

**JP OvershtElim (D
XX.XX %**

It is expressed as a percentage ranging from OFF, 0.01 – 50.00. OFF will disable this part of the PID equation.

OUTPUTS

Digital Output 1	selection	Any output can be programmed to one of the following.	Jockey Pump Run
Digital Output 2	selection		Any Pump Shutdown
		Shutdown Fault, Lo Press Fault, Hi Press Fault, Any Alarm, Pump 1 - 6 Run, Pump 1 - 6 Fault, System Paused, Any Pump Shutdown, Any Pump Running, No Flow Shutdown, VFD Fault, Pressure Trip 1 - 2, Alternate Trip, Flow Trip, Jockey Pump Run, Aux Output 1 - 3	
Analogue Output 1	selection	VFD Speed.	VFD Speed
Analogue Output 2	selection	VFD Speed, Flow Rate, System Pressure	System Pressure

The SNAPPER+ has four main programmable outputs that can be used to communicate with external sources such as Telemetry or Building Management Systems (BMS). As each system requires different combinations of information all output relays are configurable in software. All outputs are Voltage Free - Change Over contact outputs and capable of 5 amps 240 VAC. If the expansion board is fitted four more programmable outputs are available.

To view which outputs are currently activated view the PUMP DATA LOG menu, under Digital Output State. The status of the analogue outputs is also available within this menu.

Digital Output Options

No	Option	Delay
1	Shutdown Fault	As per delay timers
2	Low Pressure Fault	As per delay timers
3	High Pressure Fault	As per delay timers
4	Any Alarm	Instantaneous
5	Pump 1 Run	Instantaneous
6	Pump 2 Run	Instantaneous
7	Pump 1 Fault	As per Input Delay Timer
8	Pump 2 Fault	As per Input Delay Timer
9	System Paused	Instantaneous
10	Any Pump Shutdown	As per Input Delay Timer
11	Any Pump Running	Instantaneous
12	No Flow Shutdown	As per Input Delay Timer
13	VFD Fault	Instantaneous
14	Pressure Trip 1	As per Press Trip delay timers
15	Pressure Trip 2	As per Press Trip delay timer
16	Alternate Trip	Instantaneous
17	Flow trip	As per Flow trip delay timers
18	Jockey Pump Run	Instantaneous
19	Aux Output 1	Instantaneous
20	Aux Output 2	Instantaneous
21	Aux Output 3	Instantaneous
22	SP 1 Output	Instantaneous
23	SP 2 Output	Instantaneous
24	SP 3 Output	Instantaneous
25	SP 4 Output	Instantaneous
26	SP 5 Output	Instantaneous
27	SP 6 Output	Instantaneous
28	SP 7 Output	Instantaneous
29	SP 8 Output	Instantaneous

- **Shutdown Fault**

This output is used to indicate that there has been an event that has shut down the system. This can be a High or Low-Pressure Shutdown, No Flow Shutdown or VFD Shutdown.

- **Low Pressure Fault**

A shutdown based on a Low Pressure Shutdown.

- **High Pressure Fault**

A shutdown based on a High Pressure Shutdown.

- **Any Alarm**

If there are any conditions that MAY cause a shut down (Eg. Low or High Pressure) or Fault Re-starts active this output will activate.

- **Pump 1-2 Run**

Activates when the relevant pump is running.

- **Pump 1-2 Shutdown**

Pump 1-2 shutdown on individual pump protection activation.

- **System Paused**

Either “system pause” or “system pause JP run” inputs have been activated

- **Any Pump Shutdown**

Any pump shutdown will activate the relay.

- **Any Pump Running**

Any pump running will activate the relay.

- **No Flow Shutdown**

The No Flow Shutdown action is active.

- **VFD Fault**

Output is on when the VFD is being tested or the VFD has shutdown.

- **Pressure Trip 1**

When the system pressure reaches the nominated Pressure Trip 1 Low and High, this relay will energise or de-energise. See Pressure Trip in SETTINGS.

- **Pressure Trip 2**

When the system pressure reaches the nominated Pressure Trip 2 Low and High, this relay will energise or de-energise. See Pressure Trip in SETTINGS.

- **Alternate Trip**

Each time the system shuts down the energized state of the relay will change. E.g. If the relay on one cycle is closed during operation then the next cycle this relay will be open.

The relay will change on the following: - Low Pressure Shutdown, High Pressure Shutdown, No Flow Shutdown and VFD Shutdown.

- **Flow Trip**

When the system flow reaches the nominated Flow Trip points Low or High, this relay will energise or de-energise. See Flow Trip in SETTINGS.

- **Aux Outputs 1 - 3**

Any output can be set to be an auxiliary output. Setting an output to become an auxiliary output allows the SNAPPER+ to use an input to turn on a Digital Output. To do this the input has to be set up to be an Auxiliary input. There are three auxiliary functions available.

Aux Input 1 operates Aux Output 1

Aux Input 2 operates Aux Output 2

Aux Input 2 operates Aux Output 3

- **Set Point Output 1-8 (SP 1-8 Output)**

Outputs are activated depending on which set point is the current set point. The current Set Point can be set by either configuring an input or setting a time of day event.

* RELAY RATINGS

The relays are rated at 5 amp 250VAC. Consideration of inrush current, inductive loads and cycling must be taken into account when applying current to these relays.

- Output Matrix below

INPUTS

INPUT	DEFAULT SETTINGS
Program Input 1	VFD Fault
Program Input 2	No Flow
Program Input 3	Pump 1 Manual Run
Program Input 4	Pump 1 Stop
Program Input 5	Not selected
Program Input 6	Not selected
Program Input 7	Reset
Program Input 8	Soft Pause
Analogue Input 1	Pressure
Analogue Input 2	None

There are 8 main inputs with the SNAPPER+ that control external sensing functions.

All inputs are programmable to suit various applications.

They all require **VOLTAGE FREE** contacts and as such should **NOT HAVE ANY VOLTAGE APPLIED**.

- All inputs operate on a **CLOSED CONTACT** for activation. This contact needs to be made between the input common and the relevant input. There are three terminals for the input Common to allow for multiple connections.

You can view which inputs are activated by accessing PUMP DATA LOG menu under the “Digital Input State” screens. See PUMP DATA LOG for more information.

Each Input can now have inverted logic.

Normally if an input is connected via a switch or sensor between the input common and a programmable input it is deemed to be ON and the input LED will be illuminated.

With inverted logic when an input is activated the controller will read this as OFF but the input LED will be illuminated to indicate the actual state of the input. Inverted inputs have a number of uses and the main use would be to provide fail safe activation of an input. Eg. If an programmable input is set to pause the system on low level, then a normal input would provide an ON signal to pause the system, should that input be disconnected or broken the system would not shut down resulting in damage to the pumps. If the input is inverted the float can be wired to close the input connection for system run & open for system pause. (Fail Safe)

To invert an input, firstly have the required input on the display, press the Enter button and then press the Up & Down buttons simultaneously, the Input should now show (INV) on the top line. The change it back complete the same procedure.

PROGRAMMABLE INPUT OPTIONS

	Option	Delay time	Duration
1	Not selected	Instantaneous	Continuous
2	Set Point 2	1 second	Continuous
3	Set Point 3	1 second	Continuous
4	Set Point 4	1 second	Continuous
5	Set Point 5	1 second	Continuous
6	Set Point 6	1 second	Continuous
7	Set Point 7	1 second	Continuous
8	Set Point 8	1 second	Continuous
9	Soft Pause	1 second	Continuous
10	Soft Pause JP Run	1 second	Continuous
11	Emergency Stop	Instantaneous	Continuous
12	P1 Prot(Pause)	Input delay	Continuous
13	P2 Prot(Pause)	Input delay	Continuous
14	Pump 1 Stop	Instantaneous	Continuous
15	Pump 2 Stop	Instantaneous	Continuous
16	Pump 1 Manual Run	Instantaneous	Continuous
17	Pump 2 Manual Run	Instantaneous	Continuous
18	Fire Mode	1 second	Continuous
19	Cycle pumps	1 second	Rising edge
20	VFD Fault	1 second	Continuous
21	Reset	1 second	Rising edge
22	No Flow	Input delay	Continuous
23	Aux Input 1	Instantaneous	Continuous
24	Aux Input 2	Instantaneous	Continuous
25	Aux Input 2	Instantaneous	Continuous
26	Pump1 Fault(Stop)	Pump Fault Delay	Continuous
27	Pump2 Fault(Stop)	Pump Fault Delay	Continuous
28	Flow Pulse	Instantaneous	Rising edge
29	Low Level Pause	1 second	Continuous

Not Selected

When this is selected the input will not respond to activation.

Set Point 2-8

Closing of the contact to either of these inputs will activate the alternate set points 2 to 8. If two inputs are activated at the same time, then the Set Point with the highest number will be the selected option. Eg If Set Points 2 and 6 are activated Set Point 6 pressure setting will be used.
The Set-Pr will also change on the main display.

Soft Pause

An external sensor can be used to PAUSE the system. When the system receives a PAUSE command the system will shut down in a controlled manner based on the rates set in the response rates menu.

PAUSE ACTIVATED

The system will slowly drop the pressure causing all pumps running to turn off one at a time and a message will be shown on the main screen.

After the PAUSE input has been deactivated the system will restart under normal operations. If the Auto-rotation is selected to FULL the lead pump will rotate.

Soft Pause JP Run

This is the same as Soft Pause except the jockey pump will continue to operate if fitted.

PAUSE ON. JP RUN

Emergency Stop

An external sensor can be used to STOP the system. This is particularly useful for sites with suction tanks to halt the pumping operation until the tank is allowed to reach a suitable level for pumping. There are numerous other applications for the system pause function.

EMERGENCY STOP

When the system receives a STOP command the system will immediately shut down all pumps and indicate a message.

After the STOP input has been deactivated the system will restart under normal operations and return pumps to the modes they were before the "stop". Pumps in MANUAL mode will automatically restart after deactivation of the input. If the Auto-rotation is selected to FULL the lead pump will rotate.

Pump 1 and 2 Prot(Pause)

The SNAPPER+ has inputs for each pump to allow for individual pump protection. In the event of a pump going into a fault condition the input for that pump should close. This will shut down the pump after the time set by the Input Delay Timer.

The pump will become available again when the Input contact is opened.
This protection is ideal for the following pump protection sensors:

- Temperature probes
- Thermal Overloads
- Any individual pump protection device that will auto reset with causing damage to the pump or motor is restarted.

Pump 1 and 2 Stop

Activation of this input will instantly stop the operation of the relevant pump. This can be used as an "Off override" switch in the system or if remote control of a pump is required. This input will override the relevant "Pump 1-2 Manual Run" input when both are active.

Pump 1 and 2 Manual Run

Activation of this input will instantly start the relevant pump. All automatic control of the pump is ceased at this stage.

This action can cause an alarm or shutdown condition. (See Manual operation)

Fire Mode

FIRE MODE directs the SNAPPER+ to ignore all shutdown alarms/faults and the pumps will continue under all conditions. The following protection features are disabled:

- High Pressure Shutdown
- Low Pressure Shutdown
- System Pause
- No Flow
- Individual Pump Protection
- Pump 1-6 Stop

**Be sure to understand the possible repercussions of activating this Input.

Forcing pumps to run in the presence of system faults can damage pumps and equipment. FIRE MODE should be used only if the risk of the pump stopping is greater than letting it run to destruction.

Some VFD's have a similar function and will override the protections within the VFD if an input is toggled. Contact your local dealer for further information regarding this feature.

Hardware items such as circuit breakers, Thermal Overloads and any other switchgear protection is not affected by this mode.

Cycle pumps

Activation of this input will shutdown and then cycle the pumps to the next available pump as the lead pump. If pump 1 started first on the last start-up, the toggling of this input will switch the lead pump to pump 2 instantly on receipt of this signal.

VFD Fault

In the event of a VFD fault this input will initiate a "retry cycle" to attempt to reset the VFD. On receipt of this signal the system will attempt to clear the fault by sending a reset message to the VFD after a **15 second delay**. This will be repeated until the VFD is restored to an operational level.

During this cycle the Low-Pressure Shutdown protection is disabled to allow the system to recover automatically. De-powering and then re-energising the switchboard will generally clear VFD faults. See *VFD Fail* for more configuration information

Reset

The reset input allows remote resetting of SNAPPER+ after a shutdown fault. If SNAPPER+ has shutdown due to a fault (for any reason) closing the reset contact will reset all current faults and restart the system. (VFD Fault excluded)

No Flow

If the system detects that there should be flow but there is a No Flow signal from an external flow switch, the SNAPPER+ will display the message "Low Flow Detected". Once system detects a closed contact on this input the SNAPPER+ will time out and shut down. This is optional and requires a flow switch to feedback into the No Flow Input and will only operate if there is at least 1 pump selected to AUTO.

**Low Flow Detected
XXXXX**

The system will only shut down if the system pressure is lower than the set point. SNAPPER+ assumes that if pressure is at set point then the system is in standard operation mode.

Once the No Flow Delay Timer has expired then the screen message changes to:

**No Flow Shutdown
XXXXX**

The system pressure at the time of shutdown is displayed on this screen also. The system will not restart until ENTER is pressed to clear the fault.

Aux Inputs 1, 2 and 3

Any input can be set to be an auxiliary input. Setting an input to become an auxiliary input allows the SNAPPER+ to use this input to turn on a Digital Output. To do this the output has to be set up to be an Auxiliary output. There are three auxiliary functions available.

Aux Input 1 operates Aux Output 1

Aux Input 2 operates Aux Output 2

Aux Input 3 operates Aux Output 3

Pump 1 and 2 Fault(Stop)

The SNAPPER+ has the capability to assign an input for each pump to allow for individual pump fault protection. In the event of a pump going into a fault condition the input for that pump should close. This will shut down the pump after the time set by the Pump Fault Input Delay Timer (In Timing Menu).

**Program Input X
PX Fault(Stop)**

The pump will not be available until the fault has been reset by the operator on the status screen.

Flow Pulse

When the input is programmed to this mode a digital output flow meter can be connected. Volume per pulse information need to be entered and then the actual flow can be displayed and logged on the SNAPPER+.

Low Level Pause

An external sensor can be used to Low Level Pause the system. When the system receives a Low Level Pause command the system will shut down in a controlled manner based on the rates set in the response rates menu.

The system will slowly drop the pressure causing all pumps running to turn off one at a time and a message will be shown on the main screen.

**PAUSED LOW LEVEL
XXX**

After the Low Level Pause input has been deactivated the system will restart under normal operations. If the Auto-rotation is selected to FULL the lead pump will rotate.

External contacts must be VOLTAGE FREE - any applied voltage can cause damage to the system. The SNAPPER+ will supply a control voltage to the external contact.

ANALOGUE INPUTS

The standard transducer fitted to the SNAPPER+ is rated to 25Bar.

External Analogue Input

The analogue terminals are located on the left hand side of the PCB near the top.

The use of 4 – 20mA and 0-10V transducers require the slide switches to be placed to match the input. This allows the system to read the correct input from the transducers.

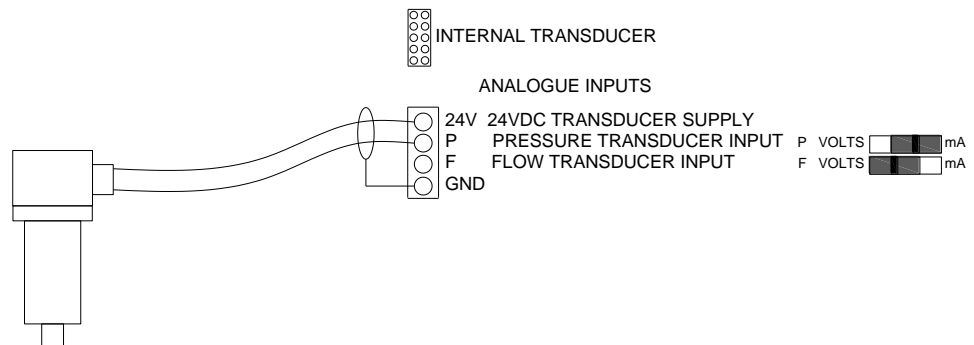


Volts = 0-500mVDC, 0-5VDC, 0-10VDC etc
 mA = 0-20mA, 4-20mA etc
 4-20 mA is a standard analogue signal from a pressure transducer.



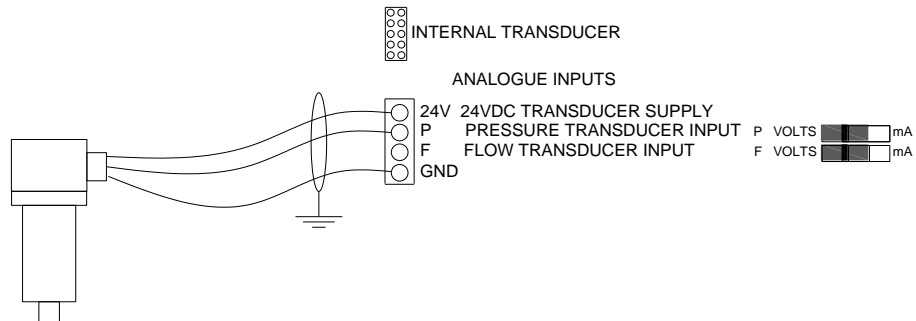
To use this input note the wiring requirements on the PCB. A 24VDC power supply is available on board for 2-wire configuration. Typical 4-20mA application shown.

Note switch settings.



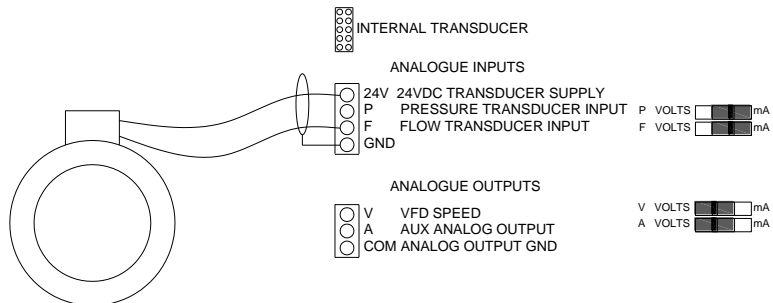
Three wire transducers are typically 0-10 V or 0-5V output.

Note switch settings.



FLOW METER INPUTS

SNAPPER+ can accept a 0-10VDC or 4-20mA signal from flow meters.



PIPE FILL MODE

Pipe Fill Mode	selection	On, Off	Off
Jump Ramp Time	seconds	Off, 1 - 999	Off
Jump Final Speed	%	0-100%	50
Pipe Fill Time	seconds	5 - 999	100
Pipe Empty Pressure	unitless	0 - 9999	200
Pipe Empty Time	seconds	0 - 999	200

When a system has been idle for a period of time there may be loss of water in the system and a need to start the pumps slowly to reduce the possibility of Water Hammer. The Pipe Fill Control will override the SET POINT control in these circumstances. Pipe Fill will accelerate all pumps one at a time to full speed governed by the "Pipe Fill Time" parameter or until the "Cut In" pressure is reached.

Pipe Fill Mode

This screen will enable or disable the mode.
If Pipe Fill Mode is set to "OFF" then the next three screens ("Pipe Fill Time, Pipe Empty Pressure and Pipe Empty Time"), will be hidden.

Pipe Fill Mode
=====On=====

Jump Ramp Time

In certain situations it is necessary to accelerate the first pump faster up to a certain speed to facilitate cooling or lubrication of bush type bearings. In this situation the "Jump Ramp Time" defines how long the first pump takes to accelerate to the Jump Final Speed, after the first pump has reached this speed normal pipe fill will commence.

Jump Ramp Time
XXX seconds

Jump Final Speed

In certain situations it is necessary to accelerate the first pump faster up to a certain speed to facilitate cooling or lubrication of plain bearings. In this situation the "Jump Final Speed" set the final speed this pump will reach before normal pipe fill commences.

Jump Final Speed
XX %

Pipe Fill Time

Nominates the maximum time to fill the reticulation pipe work. The OCRA will increase the VFD from zero to maximum frequency based on the time nominated.
The Pipe Fill Time is the time taken to accelerate EACH pump to maximum frequency.

Pipe Fill Time
XXX seconds

Pipe Empty Pressure

In order for this mode to be initiated the system must have been below the Pipe Empty Pressure for at least the Pipe Empty Time.

Pipe Empty Press
XXXX

Pipe Empty Time

Once the "System Cut In Pressure" is reached or all available pumps are on and running at 100% the Pipe Fill Mode will automatically cease and normal pressure control functions will operate.

Pipe Empty Time
XXX seconds

Whilst in Pipe Fill Mode the main screen will flash the message "Pipe Fill Mode" to inform the operator that there is a control over-ride functioning.

To disengage Pipe Fill Mode select "OFF" in the first screen of this section.
Whilst in Pipe Fill Mode the Low Pressure Shutdown is disabled.

RESTORE OPTIONS

Create Backup	*operation*		
Restore Backup	*operation*		

The Snapper+ can backup settings.

A backup can be created at any time via the “Create Backup” option in the “Restore Options” menu.

Create Backup

A backup is created and stored on the system. This will over write any previously stored backup. Only 1 backup set of data is possible.

Create Backup
Press * to Backup

Restore Backup

The backup is restored on the system. This item will be present only if a valid backup is available.

Restore Backup
Press * to Restore

When restoring the backup, the system will overwrite the current settings with the backup and restart.

****CAUTION**** The backup will restore system status to the time of the back up.

If a pump was running when the backup was made it will be running when the backup is restored.

TIME OF DAY SET POINTS

TIME OF DAY SP

Set Point 2 Time	time (hh:mm) (24)	Disabled 00:00 – 23-59	Disabled
Set Point 3 Time	time (hh:mm) (24)	Disabled 00:00 – 23-59	Disabled
Set Point 4 Time	time (hh:mm) (24)	Disabled 00:00 – 23-59	Disabled
Set Point 5 Time	time (hh:mm) (24)	Disabled 00:00 – 23-59	Disabled
Set Point 6 Time	time (hh:mm) (24)	Disabled 00:00 – 23-59	Disabled
Set Point 7 Time	time (hh:mm) (24)	Disabled 00:00 – 23-59	Disabled
Set Point 8 Time	time (hh:mm) (24)	Disabled 00:00 – 23-59	Disabled

Set Point 2, 3, 4, 5, 6, 7 and 8 Time

Time of day set points allow different set points to be active at a particular time of day. For example if you enable “Set Point 2 Time” to be “9:00 -> 10:00”, at 9:00 am Set Point 2 will come into effect, and after 10:00 am the default set point (Set Point 1) will be used again.

Set Point 2 Time
XX:XX -> XX:XX

Note:

Set Point inputs will override time of day set point selection.

If two or more timed setpoints overlap, then the setpoint that has highest number has priority (2-8 Eight has the highest priority then 7, then 6 etc).

PUMP PROTECTION

The SNAPPER+ has numerous safety features built into the system to protect the pumps from damage. Some of these shut down all operations and some are designed to halt operations until the system can stabilise. The user determines the selection of each of these.

Description	Screen Message	Action
High Pressure Shutdown	HiPress Shutdown	Shutdown - Restart Automatically or Manually
Low Pressure Shutdown	LoPress Shutdown	Shutdown - Manual restart
No Flow Shutdown	Low Flow Detected No Flow Shutdown	On first detecting a "No Flow Input" Shutdown- Manual Restart
Emergency Stop	Emergency Stop	Halts the system until contacts opened again.
Individual Pump Protection(Pause)	P X Protection	Pump 1-2 Halted until fault is removed
Individual Pump Fault (Stop)	P X Fault	Pump 1-2 Shutdown, requires operator reset

High Pressure Shutdown

If the system pressure exceeds the High Pressure Shutdown setting for a period of time set by the High Pressure Delay, the SNAPPER+ will shutdown the system until manually reset. The pressure reached will stay on the display until the fault is reset.

There is the option to allow a number of automatic restarts after this shutdown.

There are 0-250 restarts possible and are set in the "High Pressure Restarts" screen within the TUNING menu.

Low Pressure Shutdown

If the system drops under the specified Low Pressure Shutdown setting for a period of time set by the Low Pressure Delay the SNAPPER+ will shutdown the system until manually reset. Retries are not available for this Fault.

Individual Pump Protection - P 1-2 Prot(Pause)

The SNAPPER+ has inputs for each pump to allow for individual pump protection. In the event of a pump going into a fault condition the input for that pump should close. This will halt the pump after the time set by the Input Delay Timer.

The pump will automatically restart when the Input contact is opened.

This protection is ideal for the following pump protection sensors:

- Temperature probes
- Thermal Overload
- Thermistor relays

Individual No flow Pump Protection P 1-2 Fault(Stop)

SNAPPER+ has inputs for each pump to allow for individual No Flow pump protection. In the event of a pump going into a fault condition the input for that pump should close. This will shut down the pump after the time set by the No Flow Delay Timer.

The pump will NOT automatically restart when this event occurs.

This protection is ideal for the following pump protection sensors:

- Temperature probes
- Loss of prime flow switches
- Thermal Overload
- Thermistor

ALL FAULTS CAN BE REMOTELY RESET FROM THE "RESET INPUT"

CALIBRATION OF ANALOGUE SENSORS

The SNAPPER+ can accept most analogue signals from sensors and requires that a calibration routine be run to set both SCALING and ZERO OFFSET of these sensors. Go to the CONFIGURE Menu and press the Enter Key.

ZERO ERROR

The Zero Error routine should be done *BEFORE* using the “Adjust Pressure” screen.

The zero error offset is trimmed out on the “Transducer Zero” screen. Make sure there is no pressure in the system or in the tube leading to the transducer.

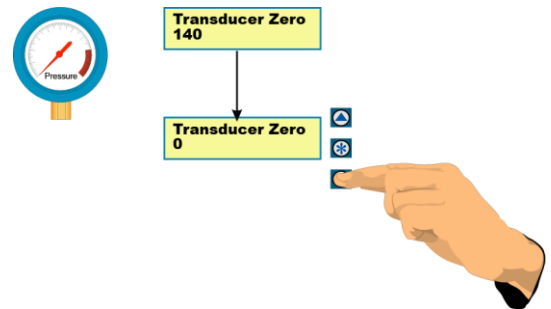
Zeroing the transducer can be done two ways. Either via automatic method or manual method.

Automatic Method

On the “Transducer Zero” screen press ENTER to edit the data. Then press and hold both up and down for 2 seconds then release. On the screen should read “Finding Zero – Please Wait”, this will take about 5-20 seconds depending on the value you have set for averaging. After it finishes it should show the value 0, if it shows 1 or VALUE TOO LOW, then a minor amount of fine tuning will be required. The fine tuning is accomplished using the Manual Method Below, In short press the down button to decrease the value, and if the screen shows “VALUE TOO LOW” press the UP button until zero appears.

Manual Method

On the “Transducer Zero” screen press ENTER to edit the data and then DOWN to make the reading go to “0”. Wait for 5 seconds for the reading to stabilise. Take care when running this procedure to reduce to the “zero” value slowly as the possibility of running past is high.



The pressure readings are averaged so the readings can lag behind the key presses. Always allow the system to stabilise prior to completing this procedure.

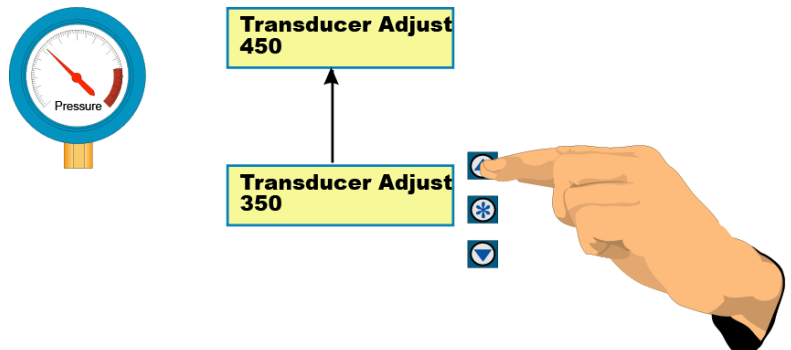
If the value input is lower than Zero a message stating, “VALUE TOO LOW” will appear on the screen. Press the UP key until a “zero” value appears.

Once completed, press ENTER again and back out of the menu to initiate a store of the “zero” value.

PRESSURE ADJUSTMENT

For this routine it is necessary to have a reference pressure that can be used to compare the system pressure to the pressure that the SNAPPER+ senses.

To calibrate the scaling for the analogue sensor apply a pressure to the system and allow it to stabilise. This can be done by manually starting one pump and then closing the main isolation vale and shutting down the pump. This should hold system pressure and remove any fluctuations that are prevalent when pumps are running.



The system pressure should be set at least two times higher than the standard operating pressure, as the calibration routine works best with an end of scale reading.

Go to the “Adjust Pressure” screen. The pressure on this screen should match the pressure on a pressure gauge in the system. If it does not, press ENTER and then either UP or DOWN to move the displayed pressure to match the gauge pressure.

There is a buffer that takes approximately 5 seconds to stabilise so wait for this period to make sure that the reading is stable before accepting or editing the settings.

Once the readings match and are steady then the scaling is calibrated. Press ENTER again and back out of the menu to initiate a store of the “Adjust Pressure” value.

FLOW METER ADJUSTMENT

Flow Meter Zero

The “Flow Meter Zero” adjusts the zero offset in the Flow Meter input. Make sure there is zero flow in the system before attempting to zero the flow meter. Be sure that the flow meter is connected to the relevant input.

Flow Meter Zero
XXXXXX /min

Zeroing the flow meter can be done two ways. Either via automatic method or manual method.

Automatic Method

On the “Flow Meter Zero” screen press ENTER to edit the data. Then press and hold both up and down for 2 seconds then release. On the screen should read “Finding Zero – Please Wait”, this will take about 5-20 seconds depending on the value you have set for averaging. After it finishes it should show the value 0, if it shows 1 or VALUE TOO LOW, then a minor amount of fine tuning will be required. The fine tuning is accomplished using the Manual Method Below, In short press the down button to decrease the value, and if the screen shows “VALUE TOO LOW” press the UP button until zero appears.

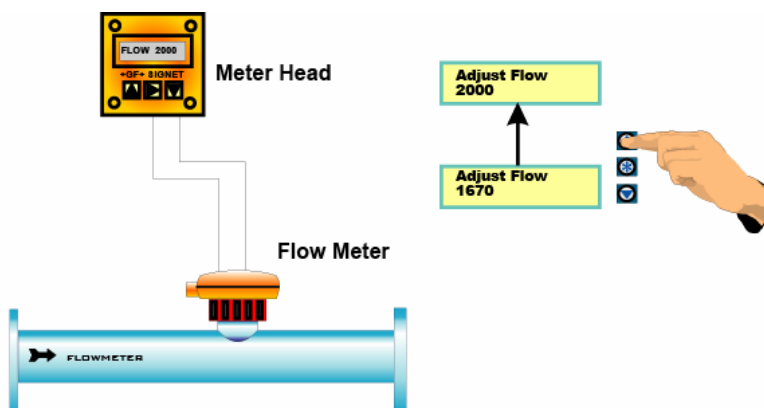
Manual Method

With no flow rate in the system trim the display by pressing ENTER and then the UP or DOWN keys to set the reading to “0”. Once calibrated press ENTER again and exit the CONFIGURE sub menu to store the value.

Adjust Flow

The calibration of the analogue sensors is achieved by adjusting the Flow meter reading on this screen to match a reading from the Flow Meter output screen.

Adjust Flow
XXXXXX /min



GENERAL

The basis for calibration is that the sensors have linear response. If the instrument being used has non-linear response the system readings will be inaccurate. The standard transducer used with the SNAPPER+ has linear characteristics and has temperature compensation to eliminate transducer error over a wide temperature span. Standard transducers have an accuracy of $\pm 0.5\%$ under normal conditions.

It is recommended that in cases where the normal system pressure in excess of 80% of the maximum pressure to consider a different range transducer. Pressure shock can damage a transducer and render it unserviceable.

PID Control SYSTEM TUNING

Response Rate

The SNAPPER+ has an on board PID controller that calculates the required VFD speed to maintain pressure at Set Point. This calculation is based on the actual system pressure being read and the speed of any one pump. Adjustment of the response of the system to varied flows can be made by using the "Response Rate" (Proportional gain) menu item located in the TUNING menus.

FASTER ↑ 100% The scale for Response Rate is 0.1 – 100%.
↓
SLOWER ↓ 0.1

Additional to this control there is the ability to dampen the response of the system by limiting the "Acceleration" (located in the TUNING menu). This will limit the acceleration rate of the system. It is a BRAKING method only.

Error Correction (Integral Time) and Overshoot Elimination (Derivative Gain) are both found in the TUNING menu and can be used to further fine tune your system.

Error Correction

The Error Correction is the time it will take to convert a constant error of 1% to a 1% change on the output. The error correction component is proportional to the tracking error and increases linearly with time. This is useful when trying to close the gap on small errors near the setpoint that cannot be eliminated through the use of the response rate alone.

FASTER ↑ 0.1 sec The scale for Error Correction is OFF, 0.1 – 100 seconds.
↓
SLOWER ↓ 100

Overshoot Elimination

The Overshoot Elimination is used to provide a damping effect to eliminate system oscillation and to minimize overshoot.

MORE ↑ 50% The scale for Overshoot Elimination is OFF, 0.1 – 50%.
↓
LESS ↓ 0.1

On start-up the SNAPPER+ will accelerate the pump at 100% to minimum frequency. From this point on the PID will control the actual speed of reaction of the controller to the system.

In an attempt to give pump control users better understand PID control Techsys has labelled the relevant items accordingly.

Proportional Gain = Response Rate

Integral Time = Error Correction

Derivative Gain = Overshoot Elimination

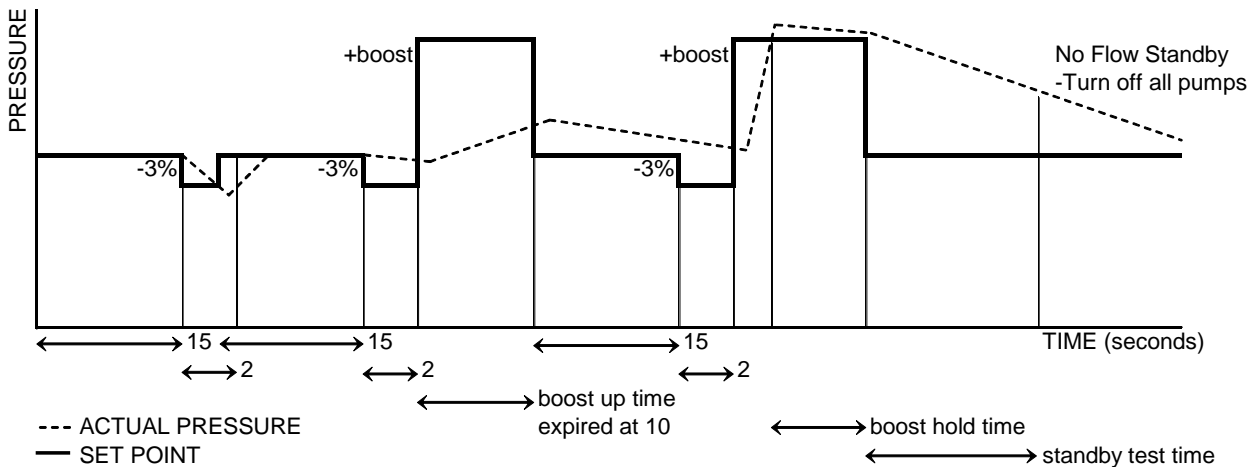
STANDBY (Sleep) METHODS

The SNAPPER+ tests for flow rate continuously and will determine if the pump system is contributing to the system flow.

The SNAPPER+ uses one of three methods to determine if there is no flow in the reticulation. The options detailed below are selected via the “Standby Test” screen, which is in the CONFIGURE menu.

Each test is only carried out if there is only 1 pump running, it's not at maximum speed and the system pressure is at or above 3% of the Set Point.

Boost: The SNAPPER+ tests to see if the system flow has stopped by boosting the system pressure. The “Standby Boost” pressure sets the amount the Set Point pressure is boosted by. The time that it takes to drop back to the Set Point is compared to the Standby Test time. If the time to return to Set Point is less than the “Standby Test” time then the system continues to operate.



In this mode the “Standby Boost” screen will be visible and “Standby Flow/Sec” will be hidden.

Flow Switch: If a flow switch closes the contact between the No Flow input then the system assumes that there is no flow and shuts down after the period nominated by the standby test time.

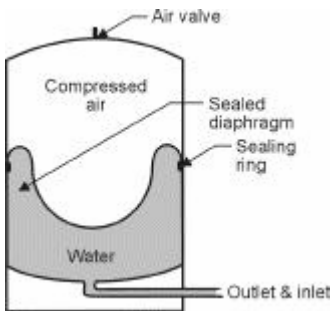
In this mode both the “Standby Boost” and “Standby Flow/Sec” screens will be hidden.

Flow Rate: If the flow rate in the system is below the nominated amount in this menu for the period of the standby test time the system will shut down.

Standby Flow Min
XXXX /min

In this mode the “Standby Flow Min” screen will be visible and “Standby Boost” will be hidden.

PRESSURE TANK REQUIREMENTS



As with all pressure systems a pressure tank is recommended for use in systems with VFD pumps. The pressure tank is used to:

- Reduce the effects of Water Hammer
- Provide supplemental pressure in the system to reduce the cycle time of the pump starts.

The size of the pressure tank is based on the number of starts required at very low flows. As the VFD Pump will take up the lower flows the only requirement for the pressure tank is to supplement the pressure when the VFD is at rest awaiting the system restart.

Be sure to have a full diameter pipe between the reticulation and the pressure tank. Do not install any restrictors in this line.

PRE-CHARGE PRESSURE

Set the air pressure in the pressure tank at 10% below the System Cut-In Pressure. This must be done when there is no pressure in the reticulation.

VFD SETTINGS

The SNAPPER+ can be used with most brands of VFD as all of the intelligence for operating the system is held within the controller itself. Nonetheless the VFD needs to be set so that it will receive the correct control signals from the SNAPPER+. There are some important settings

VFD Rates

- VFD Inputs/Outputs
- Acceleration
- Deceleration
- Maximum Speed

VFD Inputs

- Digital input
- Digital Output

VFD Inputs/Outputs

1. Analogue Input - Set to VFD Speed reference - 0-10VDC
2. Digital input - Set to Start/Stop/Reset - Close contact for run - Open Stop/Reset
3. Digital Output - Set to VFD fault - Close contact for fault

There are configuration sheets for most brands of VFD's. Contact your local agent for detailed information about your specific VFD.

Danfoss FC102

SNAPPER+ parameters for use with Danfoss FC102 VFD

Recommended initialisation (via par.14-22 Operation Mode)

1. Select par.14-22 Operation Mode
2. Press [OK]
3. Select "Initialisation"
4. Press [OK]
5. Cut off the mains supply and wait until the display turns off.
6. Reconnect the mains supply - the frequency converter is now reset.
7. Change par.14-22 Operation Mode back to Normal Operation.



Parameters	Description	DEFAULT	SNAPPER+ Set-up	Commissioning Date & Data
0-02	MOTOR SPEED UNIT	RPM	Hz	
1-00	CONFIGURATION	OPEN LOOP	OPEN LOOP	
1-03	TORQUE CHARACTERISTICS	AUTO ENERGY OPTIMISATION	VARIABLE TORQUE	
1-20	MOTOR POWER	DEPENDS ON PUMP SIZE		
1-22	MOTOR VOLTAGE	DEPENDS ON MOTOR		
1-23	MOTOR FREQUENCY	DEPENDS ON MOTOR		
1-24	MOTOR CURRENT	DEPENDS ON PUMP SIZE		
1-25	RATED MOTOR SPEED	DEPENDS ON MOTOR		
4-14	MOTOR SPEED HIGH LIMIT	25Hz	50Hz	
3-11	JOG FREQUENCY	5Hz	50Hz	
3-41	RAMP UP TIME		1 Sec	
3-42	RAMP DOWN TIME		5 Sec	
5-12	TERMINAL 27 INPUT	RESET	[3] COAST & RESET INVERSE	
6-10	TERMINAL 53 MIN SCALING	0.7V	0.0V	
6-11	TERMINAL 53 MAX SCALING	10V	10V	
5-40 [0]	ITEM [0] - RELAY 1 FUNCTION	[9] ALARM	[9] ALARM	
5-40 [1]	ITEM [1] - RELAY 2 FUNCTION	RUNNING	[9] ALARM	

VACON NXL

SNAPPER+ parameters for use with Vacon NXL

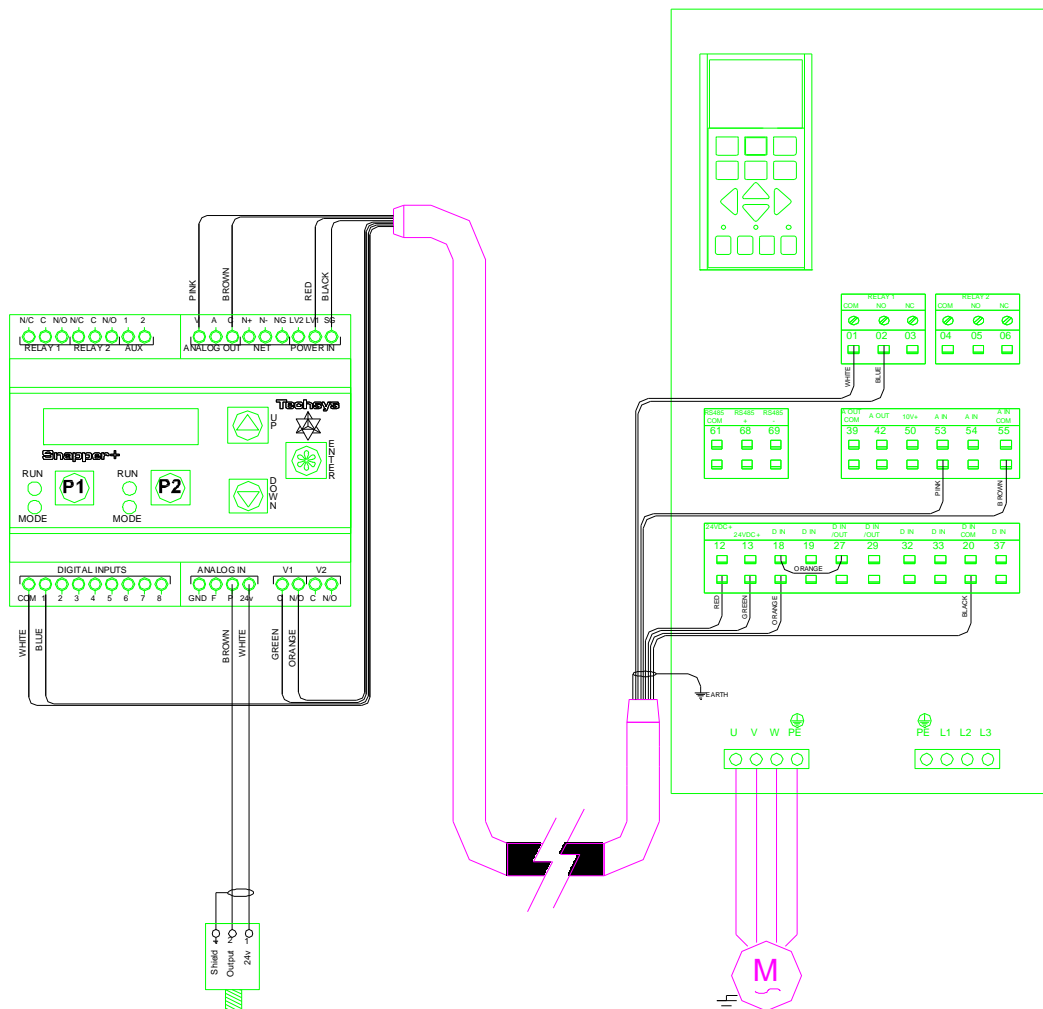
(To RESET the NXL to factory setting MENU S6.3 – P63.1 [6])

Parameters	Description	DEFAULT	SNAPPER+ Set-up	Commissioning Date & Data
Startup Wizard	STANDARD		STANDARD	
P.2.1.3	ACCELERATION TIME 1	1.0	1.0 SEC	
P.2.1.4	DECELERATION	1.0	1.0 SEC	
P.2.1.5	CURRENT LIMIT		As per Nameplate +10%	
P.2.1.6	MOTOR VOLTAGE	400V	As per Nameplate	
P.2.1.7	MOTOR FREQUENCY	50Hz	As per Nameplate	
P.2.1.8	RATED MOTOR SPEED	1440	As per Nameplate	
P.2.1.9	MOTOR CURRENT	Nominal Motor Current	As per Nameplate	
P.2.1.19	D IN3 FUNCTION	[6]	Fault Reset [4]	
P.2.2.0	A 11 SIGNAL RANGE	0-10V [3]	0-100% (0-10V0 [3])	
P.2.7.4	OUTPUT PHASE SUPERVISION			
	RELAY OUTPUT 1		FAULT	

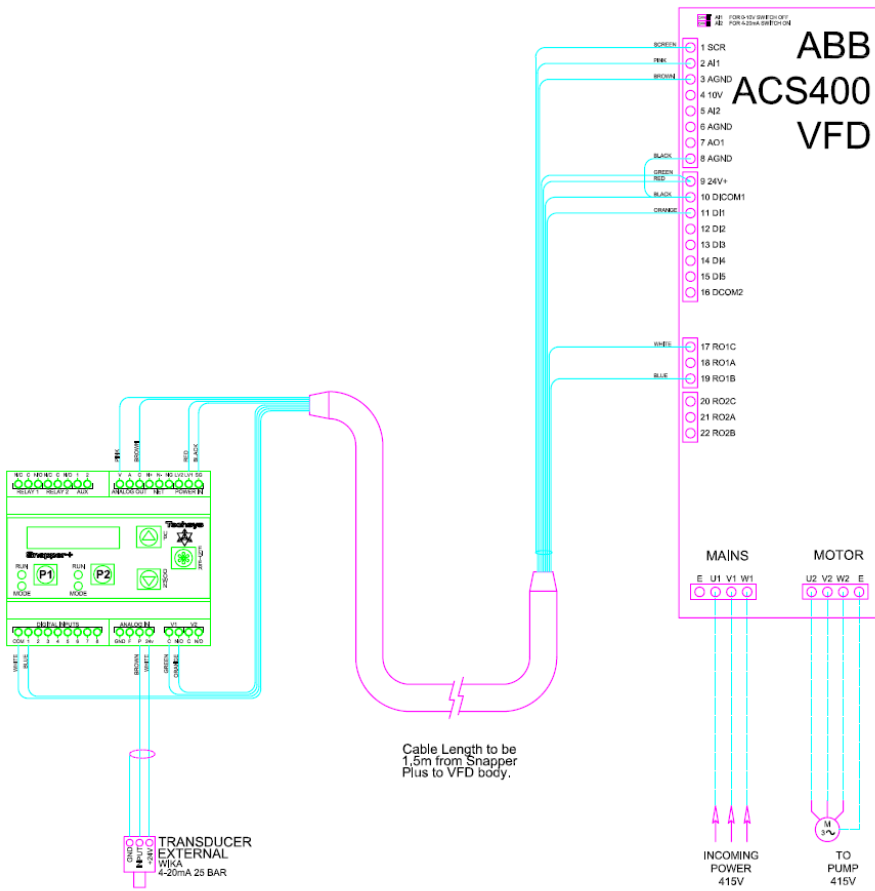
SPECIFICATIONS

Item	Description
Power supply - control	1. 24VDC – 150mA 2. 18VAC
External transducer power supply	24 VDC 100mA max. Auto reset fuse protected
EMC/ EMI filtering	Designed to minimize conducted and radiated emissions.
Transducer-on board	0-25 Bar $\pm 0.5\%$ accuracy temperature compensated. Temp max 80 degC 50 Bar burst pressure
Time based functions	$\pm 0.05\%$ of real time
Output Relays	5 amp 250VAC changeover software configurable. Common input for all pump control relays.
Switched inputs	Voltage free - internal supply 24VDC - activation threshold - 2mA
Operating temperature	0 to 45 degC
Enclosure	IP20 or IP65 not certified

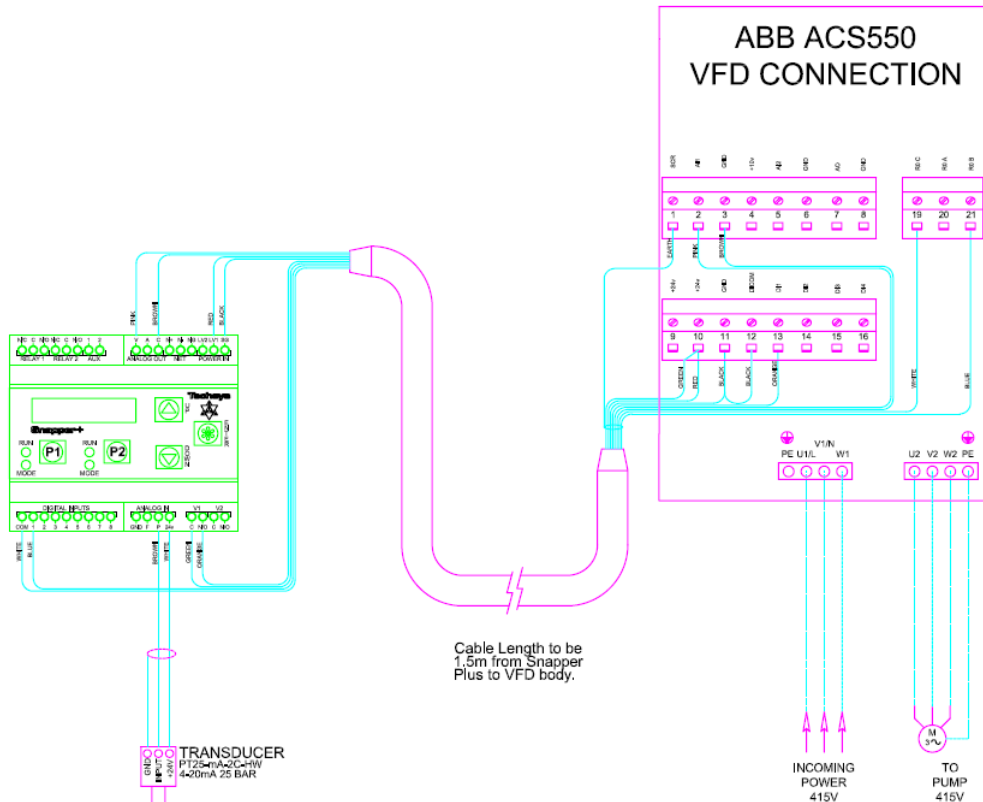
CONNECTIONS (Danfoss FC102)



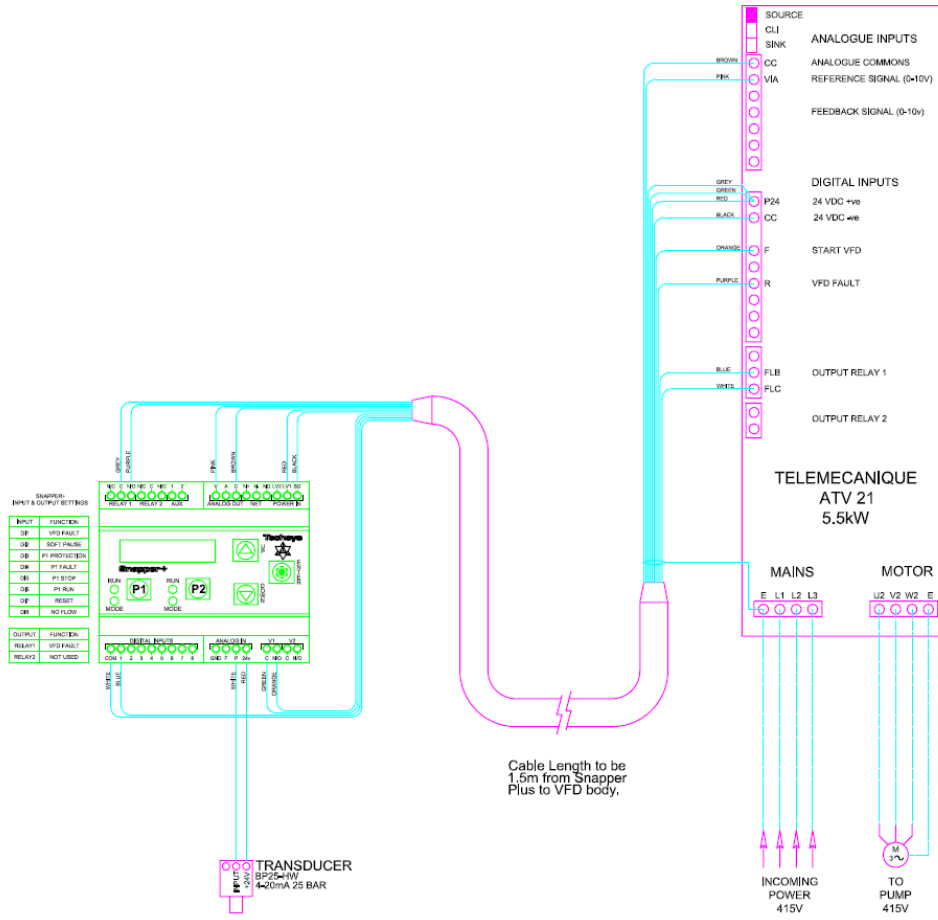
CONNECTIONS (ABB ACS 400)



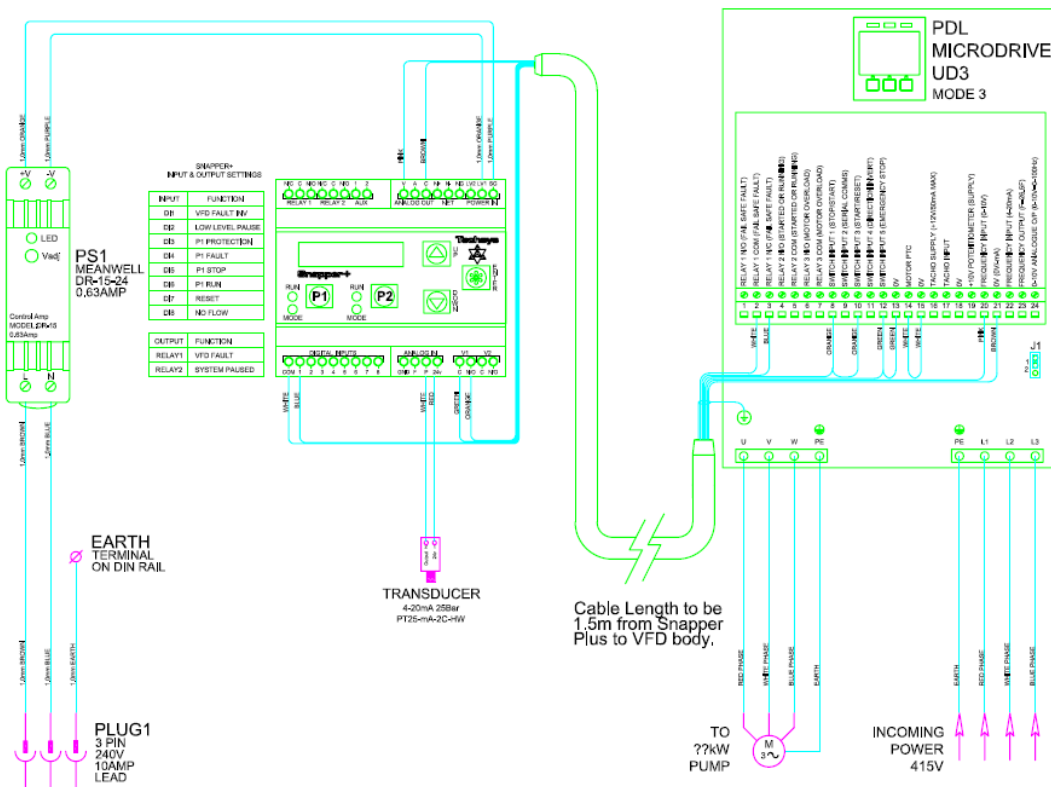
CONNECTIONS (ABB ACS 550)



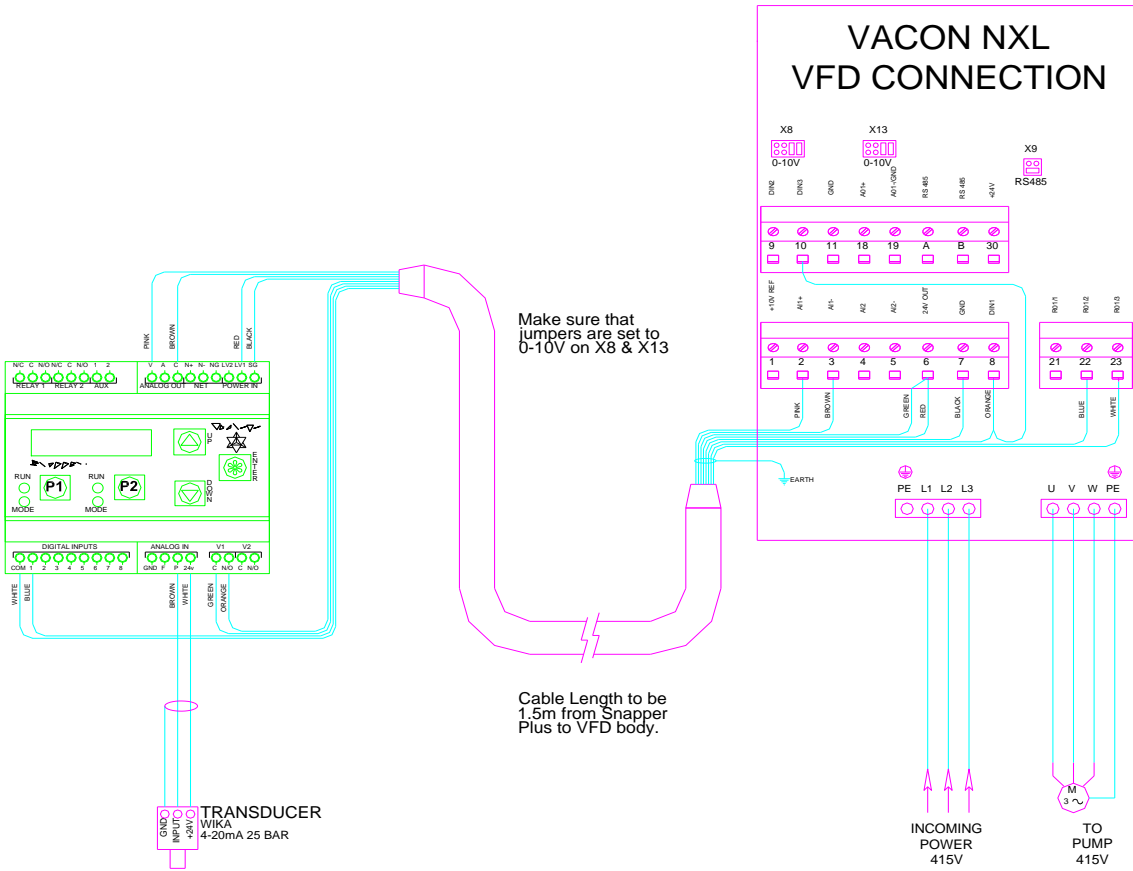
CONNECTIONS (Altivar ATV21)



CONNECTIONS (PDL UD3)

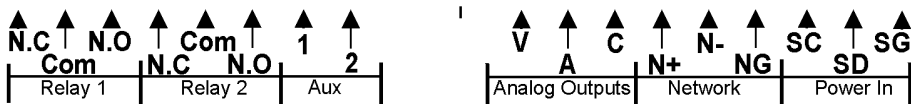


CONNECTIONS (VACON NXL)

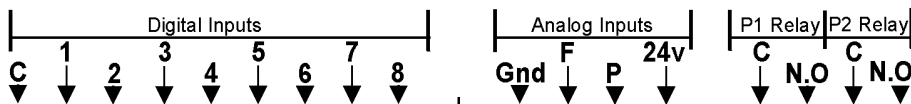


CONNECTIONS to Snapper+ controller.

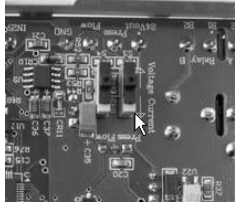
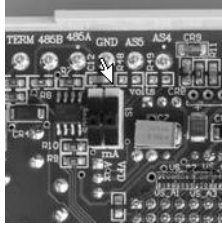
Top Connections




Bottom Connections



TROUBLESHOOTING

PROBLEM	CAUSE	SOLUTION
Can't Stop or Start pumps	<ul style="list-style-type: none"> • Screen Stated – “Access Code:” • One of the Inputs is set to operate the Pump causing override. 	<ul style="list-style-type: none"> • Input Access Code- factory setting is 21 • Check Input LED's for activation.
Pump won't start	<ul style="list-style-type: none"> • Pump “P” button not selected • Motor circuit breaker tripped or off • Control circuit breaker tripped or off • VFD faulted • Pressure above Cut In pressure • System Pause Active 	<ul style="list-style-type: none"> • Select ON for at least 1 pump • Reset circuit breaker • Reset Circuit breaker • De-power and re-power the system. • Allow the system pressure to drop • Reset Input
Pump won't turn off	<ul style="list-style-type: none"> • Manual selected for that pump • Pump Manual Run input active • Shutdown Timer too long 	<ul style="list-style-type: none"> • Select OFF or AUTO for that pump. • Remove input • Adjust shutdown timer
No display screen	<ul style="list-style-type: none"> • Control circuit breaker tripped • High voltage has tripped the surge protection fuse • Temperature within the enclosure in excess of 50degC 	<ul style="list-style-type: none"> • Reset Circuit breaker • Replace fuse on the PCB • Lower internal temperature
No pressure or wrong pressure displayed	<ul style="list-style-type: none"> • Incorrect Sensing Input selected • Calibration incorrect for sensor 	<ul style="list-style-type: none"> • Change Sensing Input to suit sensor used  <ul style="list-style-type: none"> • Down = 0-10V Out • Up = 4-20mA Out • IGNORE LABEL ON PCB • Calibrate sensor
Pumps cycling excessively	<ul style="list-style-type: none"> • Minimum frequency set too high • IN delay too low • High Pressure limit being hit • Pause Input tripping • Voltage being applied to the Inputs. • Response rate too high • Incorrect Analogue output signal. 	<ul style="list-style-type: none"> • Adjust Minimum frequency to a lower number • Adjust IN Delay timer • Check system pressures - Adjust HP Limit if necessary • Check Pause input • Make sure the Inputs are Voltage Free • Lower Response Rate • Make sure switch setting are the same as the VFD analogue input  <ul style="list-style-type: none"> • Down = 0-10V Out • Up = 4-20mA Out • IGNORE LABEL ON PCB

PROBLEM	CAUSE	SOLUTION
Pump shutting down on Pump Protection	<ul style="list-style-type: none"> Fault in protection sensor 	<ul style="list-style-type: none"> Replace or adjust sensor
Controller powers on and off continuously	<ul style="list-style-type: none"> Voltage being applied to the Inputs. Excessive current being drawn from the external pressure sensor 	<ul style="list-style-type: none"> Make sure that the Inputs are Voltage Free Check external sensor current 100mA max.
Can't tune the set point above/Below a number	<ul style="list-style-type: none"> The set point must be between the Cut In pressure and the High Pressure limit 	<ul style="list-style-type: none"> Adjust HP limit or Cut In pressure to allow the Set point to move Check Set Point 2 & 3 to make sure that they are not above HP Limit or below Cut In pressures
System Displays wont initialise Loading Data message cycles continuously	<ul style="list-style-type: none"> System needs to be initialised. 	<ul style="list-style-type: none"> Press the "Commissioning Button" on the PCB whilst powering up the system to initialise the program 
System Pressure not displaying	<ul style="list-style-type: none"> Analogue circuits not functional 	<ul style="list-style-type: none"> There are 2 LED's located on the front top right of the PCB. One is for Power which should be flashing – the other is for indication that the analogue circuit is operational. Solid light means OK- No light means inoperative.

INSTALLATION NOTES

General Installation information can be obtained from Techsys Corporation regarding the site-specific requirements however, there are some "GOLDEN RULES" in site installation that should be followed.

Site Installation

- Select the site most shaded and out of direct sunlight. Heat is a VFD killer.
- Allow the airflow from the fans to be unimpeded.
- Always connect the motor earth directly to the earth within the VFD.
- Inputs**
 - Connect the shield to EARTH and one end only.
 - Never apply voltage to the Inputs.
 - Take care in running inputs for long distances.
 - The inputs use a 24VDC signal as the carrier voltage - use compliant sensors.
- Outputs**
 - 5 amp maximum switching load.
 - Check the programming on each output before trying to troubleshoot.
- Start-up**
 - CHECK ROTATION - CHECK ROTATION - CHECK ROTATION - CHECK ROTATION - CHECK ROTATION**

All these items are site related.

Site Record

Main Menu	Sub Menu		Date	
		//	//	//
Set Point & Actual Pressure				
Flow Rate/ min & VFD Spd				
FAULT HISTORY	Fault 1			
	Fault 2			
	Fault 3			
	Fault 4			
	Fault 5			

PUMP DATA LOG				
	Flow Total			
	Average Flow Rate			
	Average Pressure			
	Highest Pres			
	Hours Run 1			
	Hours Run 2			
	Pump Starts 1			
	Pump Starts 2			
	Pump Starts Last Hr			
	Analogue Input 1			
	Analogue Input 2			
	Analogue Output 1			
	Analogue Output 2			
	Digital Input State M			
	Digital Output State			
	PID Error			
	Curr & max retry			
	Temperature			
	Modbus Monitor			
Access Code	21			

SETTINGS				
	LoPress Shutdown			
	Cut In Pressure			
	Set Point			
	HiPress Limit			
	HiPress Shutdown			
	Pump Flow Rate			
	Friction Loss			
	Set Point 2			
	Set Point 3			
	Set Point 4			
	Set Point 5			
	Set Point 6			
	Set Point 7			
	Set Point 8			
	Pressure Trip 1 Low			
	Pressure Trip 1 High			
	Pressure Trip 2 Low			
	Pressure Trip 2 High			
	Flow Trip Low			
	Flow Trip High			

Main Menu	Sub Menu		Date	
-----------	----------	--	------	--

TUNING				
	Minimum Frequency			
	Shutoff Head			
	Response Rate (P)			
	Acceleration			
	HiPress Restarts			
	Standby Boost			
	Standby Flow Min			
	Error Correct (I)			
	OvershootElim (D)			
	RR(P) EC(I) OE(D)	N/A	N/A	N/A

TIMING				
	LoPressure Delay			
	HiPressure Delay			
	IN Delay Timer			
	Out Delay Timer			
	Restart Delay			
	Standby Test Time			
	Fallback Delay			
	Boost Hold Time			
	Pump Fault Timer			
	Input Delay Timer			
	Press Trip Low Delay			
	Press Trip High Delay			
	Flow Trip Low Delay			
	Flow Trip High Delay			
	Stop Time			
	Start Time			

CONFIGURATION				
	Operating Mode			
	Level Mode			
	Number of pumps			
	Min Freq Mode			
	Press Decimal			
	Flow Decimal			
	Transducer Zero			
	Adjust Pressure			
	Averaging			
	Flow Meter Zero			
	Adjust Flow			
	Backup Pres Zero			
	Adjust Backup Pr			
	Scale An output2			
	Standby Test			
	Fallback Test			
	Set Time/Date			
	Operating System			
	Friction Loss Calc			
	Access Code			
	Serial Comms			
	Modbus Address			
	Flow Sensing			
	Manual Run			

PUMP DEFINITION				
	Pump 1			
	Pump 2			

Main Menu	Sub Menu		Date	
-----------	----------	--	------	--

JOCKEY PUMP	Jockey Pump Mode			
	JP Cut In Pres			
	JP Set Point			
	JP Cut Out Pres			
	JP Flow Rate			
	JP Response Rate			
	JP Acceleration			
	JP Standby Test			
	JP Standby Boost			
	JP Standby Flow			
	JP Run On Time			
	JP Restart Delay			
	JP Use Main SP			
	JP Min Frequency			
	JP ErrorCorr't (I			
	JP OverShtElim (D			

OUTPUTS	Digital Output 1			
	Digital Output 2			

INPUTS	Program Input 1			
	Program Input 2			
	Program Input 3			
	Program Input 4			
	Program Input 5			
	Program Input 6			
	Program Input 7			
	Program Input 8			

PIPE FILL	Pipe Fill Mode			
	Jump Ramp Time			
	Jump Final Speed			
	Pipe Fill Time			
	Pipe Empty Pressure			
	Pipe Empty Time			

TIME OF DAY SET POINTS	Set Point 2 Time			
	Set Point 3 Time			
	Set Point 4 Time			
	Set Point 5 Time			
	Set Point 6 Time			
	Set Point 7 Time			

RESTORE OPTIONS	CREATE BACKUP			
	RESTORE BACKUP			
	CREATE BACKUP			
	RESTORE BACKUP			

INDEX

- ACCELERATION, 28, 39
- ACCESS CODE, 23, 36
- ACCESS CODE, 13, 36
- ACTUAL PRESSURE, 20
- ADJUST PRESSURE, 34
- ANALOGUE INPUT, 13, 17, 21, 22, 42, 47, 55, 63
- ANALOGUE OUTPUT, 13, 21, 22, 63
- AUTOMATIC ZERO, 5, 33
- AVERAGING, 34
- BOOST HOLD TIME, 31
- CALIBRATE, 5, 51
- CALIBRATION, 34, 35, 51
- CONFIGURE, 16, 32
- CONSTRAINTS, 6
- CONTROL PARAMETERS, 32
- CUT IN, 30
- CYCLE, 45
- CYCLING, 42
- DANFOSS FC102 VFD, 56
- DECIMAL PLACES, 33
- DECIMAL RESOLUTION, 33
- DIGITAL INPUTS, 23
- DIGITAL OUTPUT OPTIONS, 41
- DIGITAL OUTPUTS, 23
- DISABLE A PUMP, 7
- DUTY/STANDBY, 37
- EMC FILTERING, 57
- ENABLE A PUMP, 7
- ERROR, 52
- ERROR CORRECTION, 53
- FAULT, 20
- FAULT HISTORY, 20
- FAULT HISTORY, 12
- FAULT RESTARTS, 28, 29, 39, 50
- FAULTS, 20
- FIRE MODE, 45
- FLOW, 20
- FLOW METER, 14, 16, 24, 25, 32, 34, 35, 52, 64
- FLOW METER CALIBRATION, 52
- FLOW RATE, 20, 21, 25, 26, 29, 34, 35, 36, 52, 54
- FLOW -TOTALIZED, 21
- FLOW TRIP, 27
- FLOW TYPE, 37
- FLOW-AVERAGE, 21
- FRICTION LOSS, 26, 36
- HOUR RUN, 22
- HOUR RUN, 22
- INDUCTIVE LOADS, 42
- INPUT DELAY TIMER, 31, 44, 46, 50
- INPUTS, 17, 42
- INRUSH CURRENT, 42
- INTRODUCTION, 2
- JOCKEY PUMP, 19, 37
- JOCKEY PUMP MODE, 38
- JP CUT IN, 38
- JP RESTART DELAY, 39
- JP RUN ON TIME, 39
- JP SET POINT, 38
- LEVEL MODE, 33
- LOSS OF PRIME, 50
- MANUAL, 7, 22
- MANUAL MODE, 7
- MANUAL ZERO, 5, 34
- MENUS, 11
- MENUS, 9
- MINIMUM FREQ MODE, 33
- MINIMUM FREQUENCY, 28
- MINIMUM FREQUENCY, 14
- MODBUS ADDRESS, 36
- MODBUS MONITOR, 23
- NO FLOW, 29, 31, 34, 35, 52, 54
- NO FLOW, 46
- NUMBER OF PUMPS, 33
- OUT DELAY, 31
- OUTPUT MATRIX, 42
- OUTPUTS, 18, 40
- OVERSHOOT ELIMINATION, 53
- PAUSE, 44, 50
- PID CONTROL, 53
- PID ERROR, 21, 23, 29, 40
- PIPE FILL, 17
- PIPE FILL MODE, 48
- POWER SUPPLY, 57
- PRESSURE TANK, 55
- PRESSURE TRANSDUCER, 20, 47
- PRESSURE TRIP, 26
- PREVIOUS VERSIONS, 17, 24
- PROGRAMMABLE INPUT OPTIONS, 43
- PROGRAMMABLE OUTPUTS, 40
- PROPORTIONAL, 30
- PROTECTION, 44, 46, 50
- PUMP DATA LOG, 13
- PUMP DEFINITIONS, 16, 37
- PUMP PROTECTION, 50
- QUICKSTART, 4
- RELAYS, 42
- RESET, 45
- RESPONSE RATE, 28, 38
- RESPONSE RATE, 53
- RESTART, 28, 44, 46, 50
- RESTART DELAY, 31
- RESTORE OPTIONS, 18, 49
- ROTATION CHECK, 4
- SERIAL COMMS, 36
- SET POINT, 5, 6, 20, 24
- SET POINT 2-8, 26
- SET TIME / DATE, 35
- SETTINGS, 14
- SHUTDOWN, 24, 25, 28, 30, 50
- SHUTOFF HEAD, 14
- SITE RECORD, 63
- SLEEP, 54
- SPECIFICATIONS, 57
- STANDBY, 54
- STANDBY TEST, 35
- STARTS, 22, 28, 29, 30, 39, 50
- SYSTEM CUT IN, 6
- SYSTEM TUNING, 53
- TANK EMPTYING, 33
- TANK FILLING, 33
- TEMPERATURE, 23, 57
- TEMPERATURE, 44, 50
- TIME OF DAY SP, 19
- TIMING, 15
- TRANSDUCER DRIFT, 52
- TRANSDUCER ZERO, 33, 34, 52
- TROUBLESHOOTING, 61
- TUNING, 14
- USER ACCESS CODE, 36
- VERSION, 2
- VFD FAULT, 45
- VFD PUMP, 20
- VFD SETTINGS, 55
- ZERO PRESSURE, 5